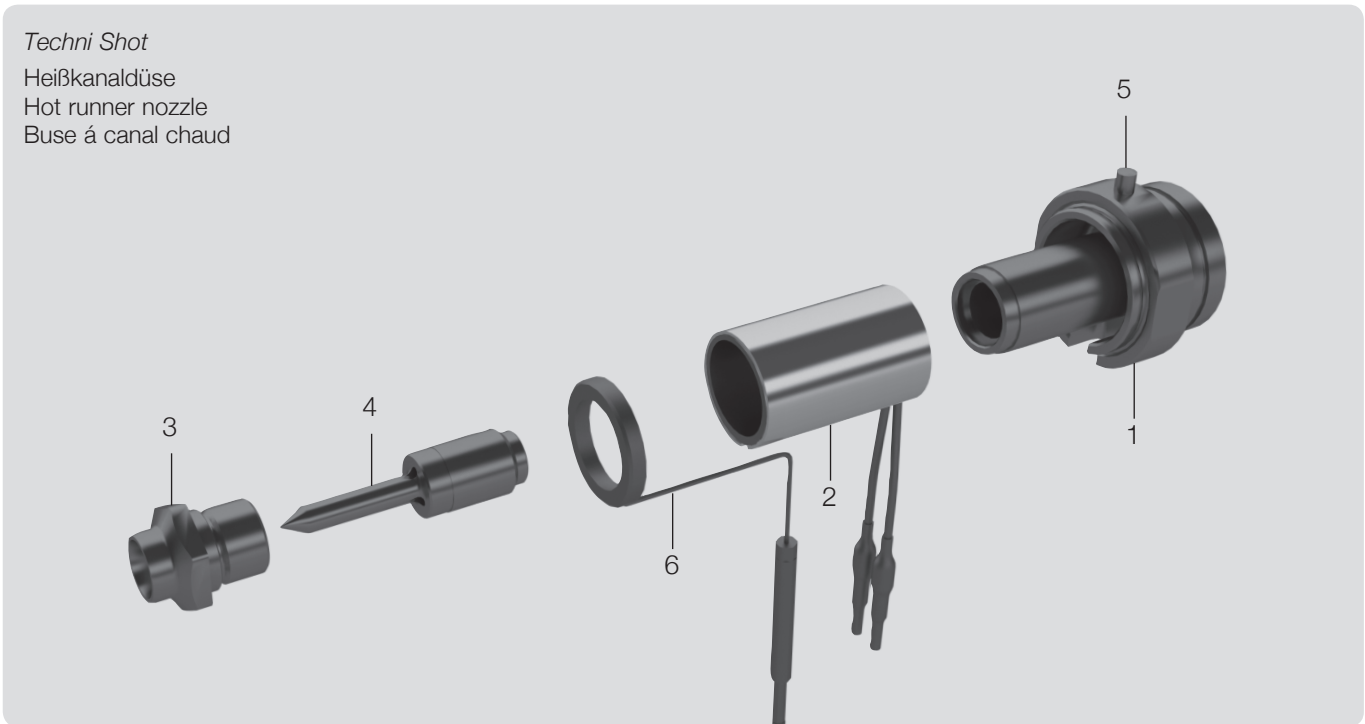


Techni Shot

Heißkanaldüse

Hot runner nozzle

Buse á canal chaud



| Pos. | 1 | 2 | 3 | 4 | 5 | 6 |
|------------|------------|------------|-----------|-----------|----------|------------|
| H34201/... | H34000/... | H33061/... | | (CuCoBe) | Z25/... | H3305/... |
| ...25x 56 | ... 25x 56 | ...25x 56 | H33218/25 | H33214/25 | ...3x 8 | ...25x 56 |
| 71 | 71 | 71 | | | | 71 |
| 100 | 100 | 100 | | | | 100 |
| ...32x 63 | ... 32x 63 | ...32x 63 | ...32 | H33211/32 | ...4x 10 | ...32x 63 |
| 80 | 80 | 80 | | | | 80 |
| 100 | 100 | 100 | | | | 100 |
| ...40x 80 | ...40x 80 | ...40x 80 | H33217/40 | ...40 | ...4x 12 | ...40x 80 |
| 100 | 100 | 100 | | | | 100 |
| 140 | 140 | 140 | | | | 140 |
| ...50x 100 | ...50x100 | ...50x 100 | ...50 | ... 50 | | ...50x100 |
| 140 | 140 | 140 | | | | 140 |
| 200 | 200 | 200 | | | | 200 |
| 250 | 250 | 250 | | | | 250 |
| ...60x 125 | ...60x125 | ...60x 125 | H33218/60 | ... 60 | ...6x 14 | ...60x 125 |
| 140 | 140 | 140 | | | | 140 |
| 160 | 160 | 160 | | | | 160 |
| 200 | 200 | 200 | | | | 200 |
| 250 | 250 | 250 | | | | 250 |
| 300 | 300 | 300 | | | | 300 |

Ersatzteile/Spare parts/Pièces détachées

| Pos. | Benennung | Designation | Désignation | Stück Quantity Pièce |
|------|----------------|--------------|----------------------|----------------------------|
| 1 | Düsenkörper | Nozzle body | Corps de buse | 1 |
| 2 | Heizung | Heater | Élément chauffant | 1 |
| 3 | Überwurfmutter | Sleeve nut | Écrou | 1 |
| 4 | Torpedospitze | Nozzle tip | Pointe torpédo | 1 |
| 5 | Zylinderstift | Dowel pin | Goupille cylindrique | 1 |
| 6 | Thermofühler | Thermocouple | Thermocouple | 1 |

| Pos. | 1 | 2 | 3 | 4 | 5 | 6 |
|------------|------------|------------|-----------|---------------------|----------|-----------|
| H34205/... | H34000/... | H33061/... | | H33215/... (TZM) | Z25/... | H3305/... |
| ...25x 56 | ...25x 56 | ...25x 56 | H33218/25 | ...25 | ...3x 8 | ...25x 56 |
| 71 | 71 | 71 | | | | 71 |
| 100 | 100 | 100 | | | | 100 |
| ...32x 63 | ...32x 63 | ...32x 63 | ...32 | ...32 | ...4x 10 | ...32x 63 |
| 80 | 80 | 80 | | | | 80 |
| 100 | 100 | 100 | | | | 100 |
| ...40x 80 | ...40x 80 | ...40x 80 | H33217/40 | ...40 | ...4x 12 | ...40x 80 |
| 100 | 100 | 100 | | | | 100 |
| 140 | 140 | 140 | | | | 140 |
| ...50x100 | ...50x100 | ...50x100 | ...50 | ...50 | | ...50x100 |
| 140 | 140 | 140 | | | | 140 |
| 200 | 200 | 200 | | | | 200 |
| 250 | 250 | 250 | | | | 250 |
| ...60x125 | ...60x125 | ...60x125 | H33218/60 | ...60 | ...6x 14 | ...60x125 |
| 140 | 140 | 140 | | | | 140 |
| 160 | 160 | 160 | | | | 160 |
| 200 | 200 | 200 | | | | 200 |
| 250 | 250 | 250 | | | | 250 |
| 300 | 300 | 300 | 300 | | | |