

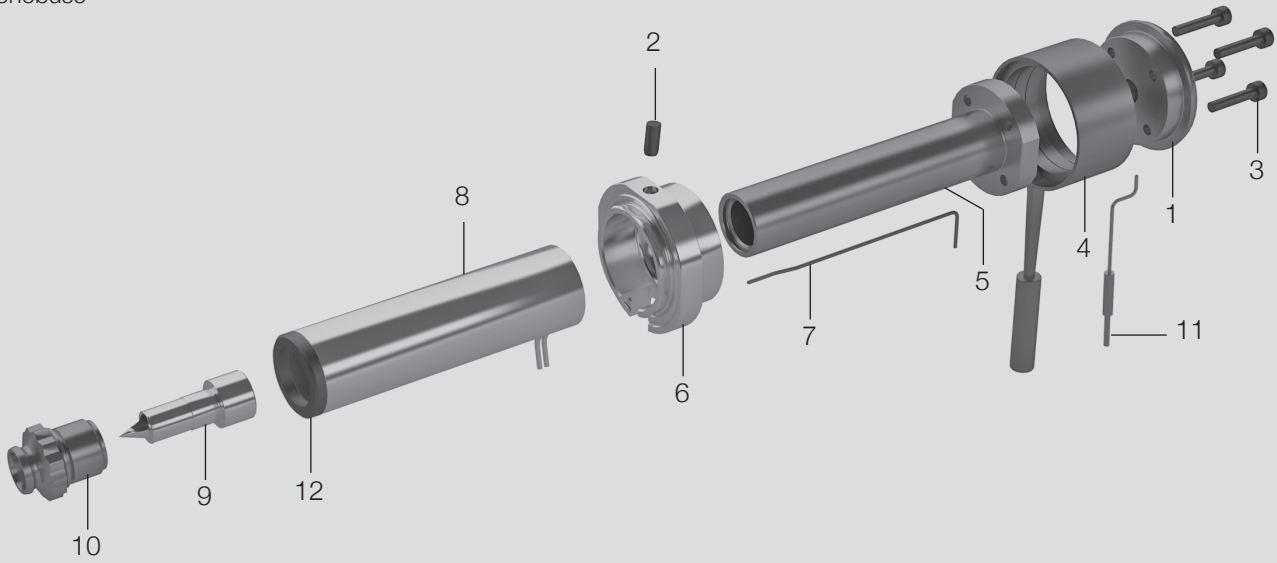
# H 6210 / ...

Speziallegierung  
Special alloy  
Alliage special

# H 62101 / ...

Speziallegierung beschichtet  
Special alloy coated  
Alliage special revêtu

Vario Shot®  
Mono-Düse  
Mono nozzle  
Monobuse



Pos.	1		1		1	2	3
H6210/...	H6204/...	H6210/... (sr1 = 15,5)	H6204/...	H6210/... (sr1 = 40)	H6204/...	Z25/...	Z31/...
H62101/...		H62101/...	(sr1 = 15,5)	H62101/...	(sr1 = 40)		
...25x 66	...25	...25x 66x15,5	...25x15,5	...25x 66x40	...25x40	...3x10	...3x16
73		73		73			
81		81		81			
90		90		90			
110		110		110			
135		135		135			
150		150		150			
170		170		170			
...32x 73	...32	...32x 73x15,5	...32x15,5	...32x 73x40	...32x40	...4x10	
81		81		81			
90		90		90			
100		100		100			
110		110		110			
135		135		135			
150		150		150			
170		170		170			
...40x 90	...40	...40x 90x15,5	...40x15,5	...40x 90x40	...40x40	...4x14	...4x16
100		100		100			
110		110		110			
122		122		122			
135		135		135			
150		150		150			
170		170		170			
190		190		190			
210	210	210					
...50x 115	...50	...50x 115x15,5	...50x15,5	...50x 115x40	...50x40	...5x12	...5x25
127		127		127			
140		140		140			
155		155		155			
175		175		175			
215		215		215			
265		265		265			
315		315		315			

