

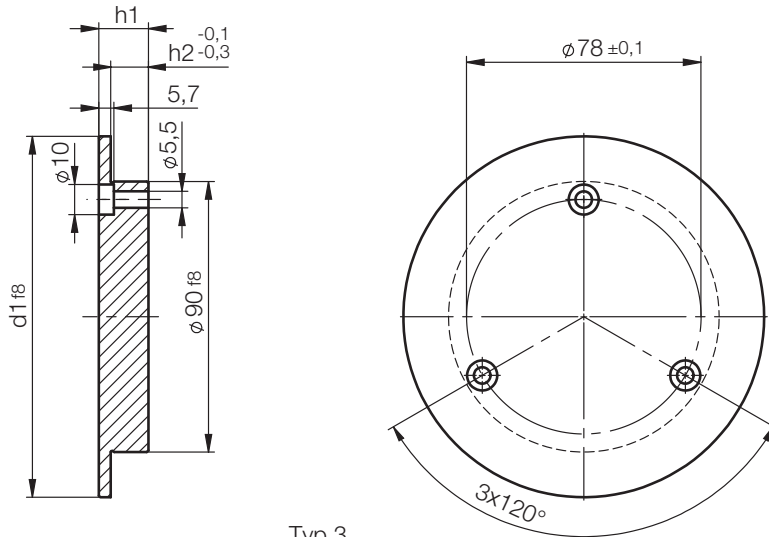
K501/...

Zentrierflansch, mit Befestigungsbohrungen
 Locating ring, with fixing holes
 Rondelle de centrage, avec orifices de fixation

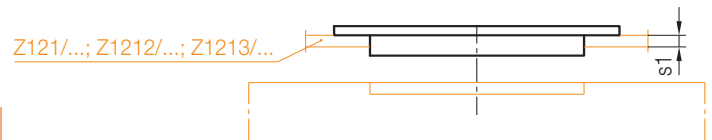
Mat.: 1.1730/640N/mm²



2



Typ 3



Neu/New/Nouveau

| Typ | h2 | s1 | d1 | h1 | Nr./No. | | |
|-----|------|-----|-----|------|--------------|--------------|--|
| 3 | 4 | - | 100 | 8 | K501/ 100x 8 | | |
| | | | | 12 | 100x12 | | |
| | | | | 13 | 100x13 | | |
| | | | | 15 | 100x15 | | |
| | | | | 16,5 | 100x16,5 | | |
| | 12,5 | 8,5 | - | 110 | 8 | K501/ 110x 8 | |
| | | | | | 11 | 110x11 | |
| | | | | | 12 | 110x12 | |
| | | | | | 13 | 110x13 | |
| | | | | | 15 | 110x15 | |
| | 9 | 5 | - | 120 | 13 | K501/ 120x13 | |
| | | | | | 15 | 120x15 | |
| | | | | | 16,5 | 120x16,5 | |
| | | | | | 11 | 7 | |
| | | | | | 12,5 | 8,5 | |

| Typ | h2 | s1 | d1 | h1 | Nr./No. | |
|------|------|-----|-----|-----|--------------|--------------|
| 3 | 4 | - | 125 | 8 | K501/ 125x 8 | |
| | | | | 11 | 125x11 | |
| | | | | 12 | 125x12 | |
| | | | | 13 | 125x13 | |
| | | | | 15 | 125x15 | |
| | 12,5 | 8,5 | - | 160 | 16,5 | 125x16,5 |
| | | | | | 8 | K501/ 160x 8 |
| | | | | | 11 | 160x11 |
| | | | | | 12 | 160x12 |
| | | | | | 13 | 160x13 |
| | 9 | 5 | - | 175 | 15 | 160x15 |
| | | | | | 16,5 | 160x16,5 |
| | | | | | 8 | K501/ 175x 8 |
| | | | | | 12 | 175x12 |
| | | | | | 16,5 | 175x16,5 |
| 12,5 | 8,5 | - | 200 | 12 | K501/ 200x12 | |
| | | | | 4 | | |
| | | | | 4 | | |