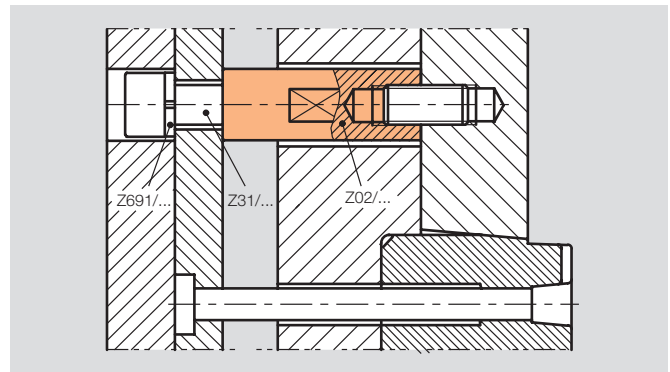
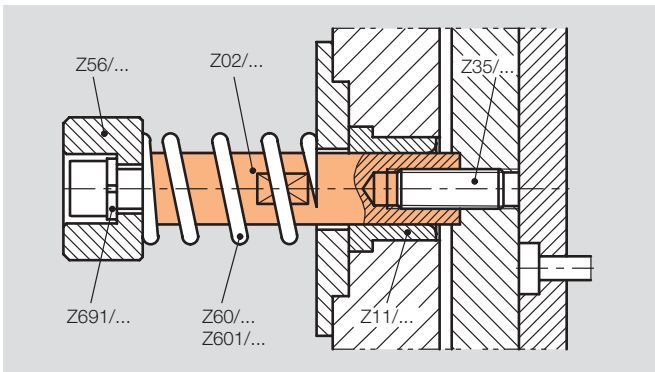
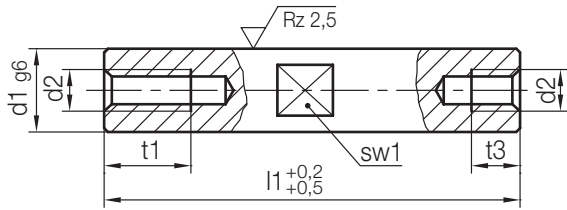
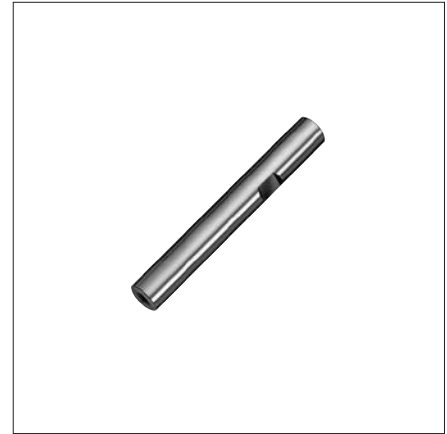


Z02/...

Auswerferbolzen
Ejector rod
Barre d'attelage

Mat.: ≈ 1.0401 / 690 + 70 HV 30



| sw1 | t3 | t1 | d2 | d1 | l1 | Nr./No. |
|-----|----|----|-----|----|-----|------------|
| 9 | 9 | 16 | M6 | 10 | 60 | Z02/10x 60 |
| | | | | | 70 | 70 |
| | | | | | 80 | 80 |
| | | | | | 100 | 100 |
| | | | | | 120 | 120 |
| | | | | | 140 | 140 |
| | | | | | 160 | 160 |
| 12 | 17 | 25 | M8 | 14 | 60 | Z02/14x 60 |
| | | | | | 70 | 70 |
| | | | | | 80 | 80 |
| | | | | | 100 | 100 |
| | | | | | 120 | 120 |
| | | | | | 140 | 140 |
| | | | | | 160 | 160 |
| 14 | 20 | 30 | M10 | 18 | 70 | Z02/18x 70 |

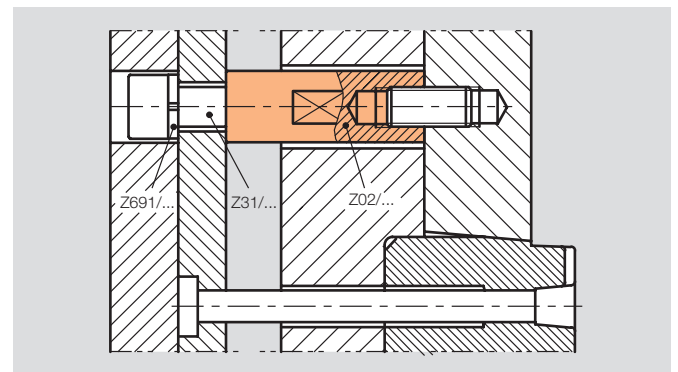
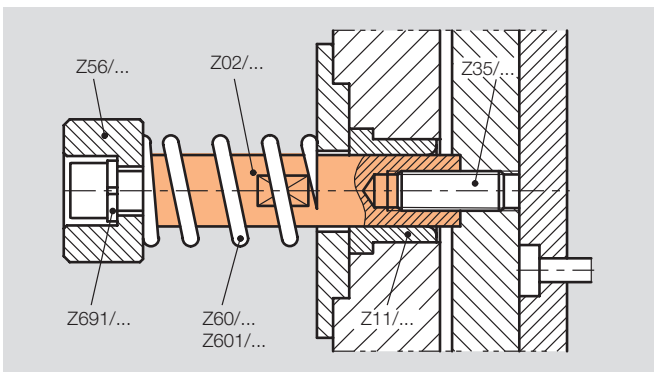
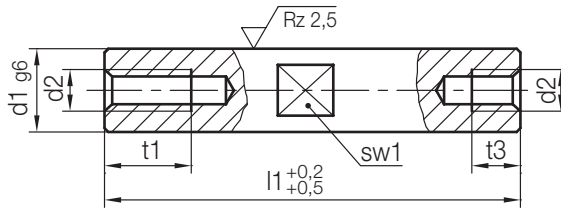
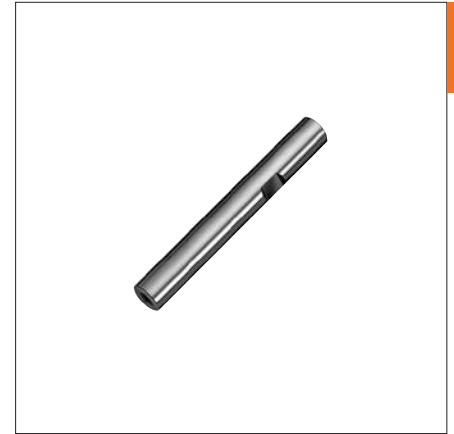
| sw1 | t3 | t1 | d2 | d1 | l1 | Nr./No. |
|-----|-----|----|-----|----|-----|------------|
| 14 | 20 | 30 | M10 | 18 | 80 | Z02/18x 80 |
| | | | | | 100 | 100 |
| | | | | | 120 | 120 |
| | | | | | 140 | 140 |
| | | | | | 160 | 160 |
| | | | | | 180 | 180 |
| | | | | | 200 | 200 |
| 16 | 20 | 30 | M12 | 20 | 70 | Z02/20x 70 |
| | | | | | 80 | 80 |
| | | | | | 100 | 100 |
| | | | | | 120 | 120 |
| | | | | | 140 | 140 |
| | | | | | 160 | 160 |
| | | | | | 180 | 180 |
| 200 | 200 | | | | | |

Z02/...

Auswerferbolzen
Ejector rod
Barre d'attelage

Mat.: ≈ 1.0401 / 690 + 70 HV 30

1



| sw1 | t3 | t1 | d2 | d1 | l1 | Nr./No. |
|-----|----|----|-----|----|-----|------------|
| 16 | 20 | 30 | M12 | 20 | 220 | Z02/20x220 |
| | | | | | 240 | 240 |
| | | | | | 340 | 340 |
| 19 | 25 | 35 | | 24 | 70 | Z02/24x 70 |
| | | | | | 80 | 80 |
| | | | | | 100 | 100 |
| | | | | | 120 | 120 |
| | | | | | 140 | 140 |
| | | | | | 160 | 160 |
| | | | | | 180 | 180 |
| | | | | | 200 | 200 |
| | | | | | 220 | 220 |
| | | | | | 240 | 240 |
| | | | | | 260 | 260 |
| 24 | 30 | 45 | M16 | 30 | 100 | Z02/30x100 |
| | | | | | 120 | 120 |
| | | | | | 140 | 140 |
| | | | | | | |

| sw1 | t3 | t1 | d2 | d1 | l1 | Nr./No. |
|-----|----|----|-----|----|-----|------------|
| 24 | 30 | 45 | M16 | 30 | 160 | Z02/30x160 |
| | | | | | 180 | 180 |
| | | | | | 200 | 200 |
| | | | | | 220 | 220 |
| | | | | | 260 | 260 |
| | | | | | 300 | 300 |
| 36 | 35 | 55 | M20 | 40 | 160 | Z02/40x160 |
| | | | | | 180 | 180 |
| | | | | | 200 | 200 |
| | | | | | 220 | 220 |
| | | | | | 240 | 240 |
| | | | | | 260 | 260 |
| | | | | | 300 | 300 |
| | | | | | 340 | 340 |
| | | | | | 380 | 380 |
| | | | | | | |
| | | | | | | |