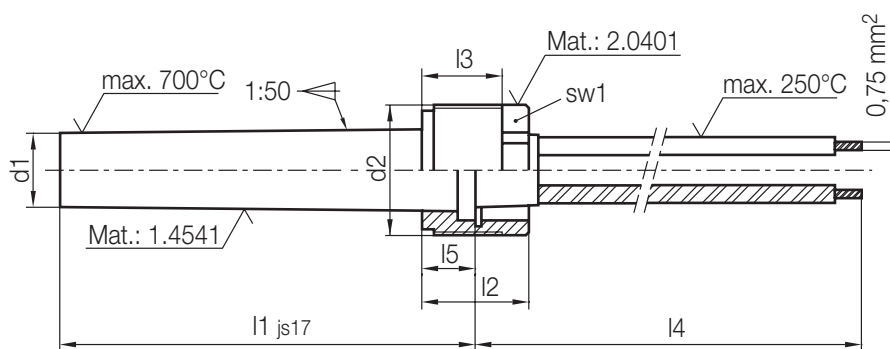


Z111/...

Heizpatrone, konisch
 Cartridge heater, tapered
 Cartouche chauffante, conique

230 V~

CE



| P1 [W/cm²] | I [A] | sw1 | l5 | l4 | l3 | l2 | d2 | d1 | l1 | P [W] | Nr./No. | | | | |
|------------|-------|-----|-----|---------|------|----|-------|------|-----|-------|-------------------|-------|-----|-----|---------|
| 10 | 0,69 | 20 | 9 | 630 | 13,5 | 18 | M22x1 | 12,5 | 60 | 160 | Z111/12,5x 60x160 | | | | |
| 16 | 1,09 | | | | | | | | | 250 | 250 | | | | |
| 13 | 1,74 | | | | | | | | 70 | 250 | 70x250 | | | | |
| 20 | | | | | | | | | 400 | 400 | | | | | |
| 10 | | | | | | | | | 80 | 250 | 80x250 | | | | |
| 17 | 1,74 | | | | | | | | 400 | 400 | | | | | |
| 9 | 1,09 | | | | | | | | 22 | 800 | 1000 | M24x1 | 90 | 250 | 90x250 |
| 14 | 1,74 | | | | | | | | | | | | | 400 | 400 |
| 8 | 1,09 | | | | | | | | | | | | 100 | 250 | 100x250 |
| 12 | 1,74 | | | | | | | | | | | | 400 | 400 | |
| 8 | 1,37 | | | | | | | | | | | | 120 | 315 | 120x315 |
| 12 | 2,17 | | | | | | | | | | | | 500 | 500 | |
| 7 | 1,37 | | | | | | | | | | | | 130 | 315 | 130x315 |
| 11 | 2,17 | | | | | | | | | | | | 500 | 500 | |
| 17 | 3,48 | 800 | 800 | | | | | | | | | | | | |
| 6 | 1,37 | 150 | 315 | 150x315 | | | | | | | | | | | |
| 9 | 2,17 | 500 | 500 | | | | | | | | | | | | |
| 7 | 1,74 | 160 | 400 | 160x400 | | | | | | | | | | | |
| 10 | 2,74 | | 630 | 630 | | | | | | | | | | | |
| 13 | 3,48 | | 800 | 800 | | | | | | | | | | | |