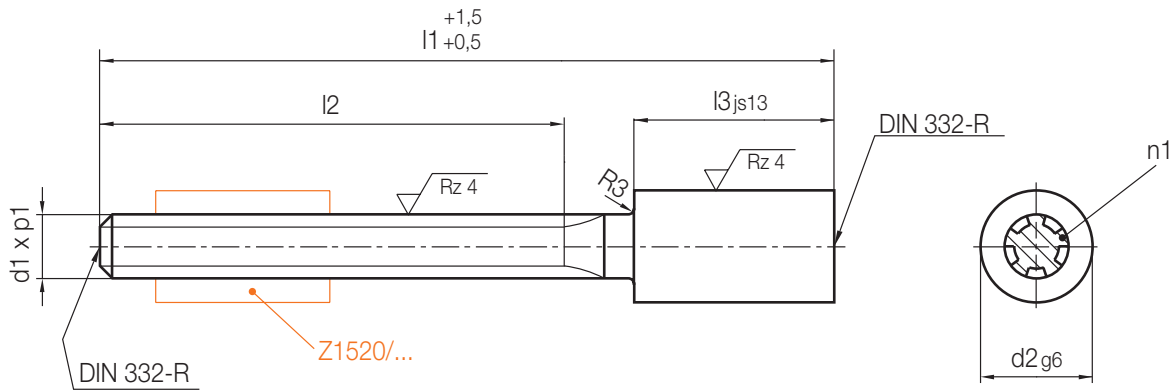


Z 1500 /...

Steilgewindespindel
Helical spindle
Tige filetée

Mat.: $\approx 1.0727/980 \text{ N/mm}^2$



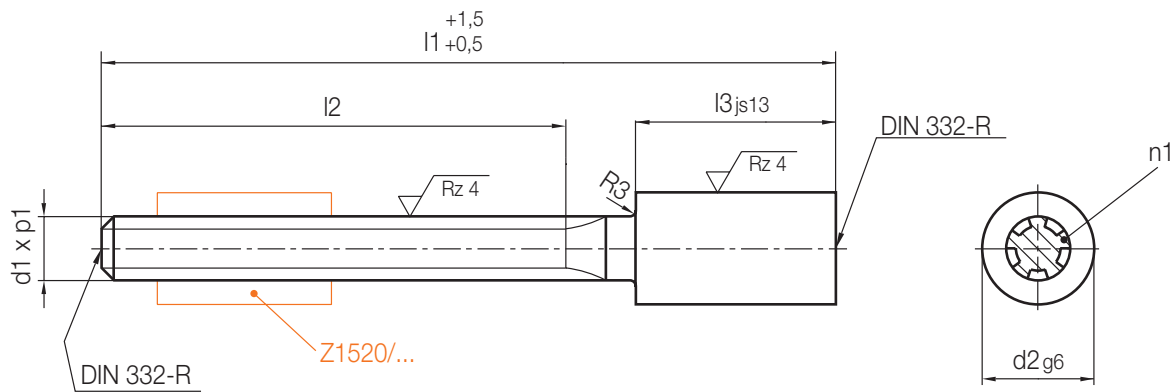
Linksgewinde
L = Left-Hand thread
Filetage gauche

| n1 | l3 | l1 | d2 | d1 | p1 | R | l2 | Nr./No. | |
|-----|-----|-----|-----|---------------------|-----|---|-----|---------------------|---------------------|
| 5 | 50 | 240 | 28 | Tr16 | 50 | L | 160 | Z 1500/16x 50/L/160 | |
| | | 330 | | | | | 250 | 250 | |
| | | 240 | | | 63 | | 160 | Z 1500/16x 63/L/160 | |
| | | 330 | | | | | 250 | 250 | |
| 6 | 63 | 345 | 36 | Tr20 | 63 | | 250 | Z 1500/20x 63/L/250 | |
| | | 410 | | | | | 315 | 315 | |
| | | 7 | | | | | 345 | 80 | 250 |
| 410 | 315 | | 315 | | | | | | |
| 345 | 100 | | 250 | Z 1500/20x100/L/250 | | | | | |
| 410 | | | 315 | 315 | | | | | |
| 8 | 80 | 430 | 45 | Tr25 | 80 | | 315 | Z 1500/25x 80/L/315 | |
| | | 515 | | | | | 400 | 400 | |
| | | 9 | | | | | 430 | 100 | 315 |
| 515 | 400 | | 400 | | | | | | |
| 430 | 125 | | 315 | Z 1500/25x125/L/315 | | | | | |
| 515 | | | 400 | 400 | | | | | |
| 10 | 100 | 430 | 56 | Tr32 | 100 | | 315 | Z 1500/25x160/L/315 | |
| | | 515 | | | | | 400 | 400 | |
| | | 9 | | | | | 490 | 125 | 355 |
| 585 | 450 | | 450 | | | | | | |
| 490 | 160 | | 355 | Z 1500/32x125/L/355 | | | | | |
| 585 | | | 450 | 450 | | | | | |
| 10 | 100 | 490 | 56 | Tr32 | 100 | | 355 | Z 1500/32x160/L/355 | |
| | | 585 | | | | | 450 | 450 | |
| | | 490 | | | | | 200 | 355 | Z 1500/32x200/L/355 |
| | | 585 | | | | | | 450 | 450 |
| 11 | 100 | 490 | 56 | Tr32 | 100 | | 355 | Z 1500/32x200/L/355 | |
| | | 585 | | | | | 450 | 450 | |

Z 1500 /...

Steilgewindespindel
Helical spindle
Tige filetée

Mat.: $\approx 1.0727/980 \text{ N/mm}^2$



Rechtsgewinde
R = Right-Hand thread
Filetage droit

| n1 | l3 | l1 | d2 | d1 | p1 | R | l2 | Nr./No. | |
|----|-----|-----|-----|---------------------|-----|---|-----|---------------------|---------------------|
| 5 | 50 | 240 | 28 | Tr 16 | 50 | R | 160 | Z 1500/16x 50/R/160 | |
| | | 330 | | | | | 250 | 250 | |
| | | 240 | | | 63 | | 160 | Z 1500/16x 63/R/160 | |
| | | 330 | | | | | 250 | 250 | |
| 6 | 63 | 345 | 36 | Tr 20 | 63 | R | 250 | Z 1500/20x 63/R/250 | |
| | | 410 | | | | | 315 | 315 | |
| 7 | | 345 | | | 80 | | 250 | Z 1500/20x 80/R/250 | |
| | | 410 | | | | | 315 | 315 | |
| 8 | 80 | 345 | 45 | Tr 25 | 80 | R | 250 | Z 1500/20x100/R/250 | |
| | | 410 | | | | | 315 | 315 | |
| | | 9 | | | 430 | | 100 | 315 | Z 1500/25x 80/R/315 |
| | | | | | 515 | | | 400 | 400 |
| 10 | 100 | 430 | 56 | Tr 32 | 100 | R | 315 | Z 1500/25x100/R/315 | |
| | | 515 | | | | | 400 | 400 | |
| | | 10 | | | 430 | | 125 | 315 | Z 1500/25x125/R/315 |
| | | | | | 515 | | | 400 | 400 |
| 9 | 100 | 430 | 56 | Tr 32 | 100 | R | 315 | Z 1500/25x160/R/315 | |
| | | 515 | | | | | 400 | 400 | |
| | | 10 | | | 490 | | 160 | 355 | Z 1500/32x100/R/355 |
| | | | | | 585 | | | 450 | 450 |
| 11 | 100 | 490 | 56 | Tr 32 | 125 | R | 355 | Z 1500/32x125/R/355 | |
| | | 585 | | | | | 450 | 450 | |
| | | 10 | | | 490 | | 160 | 355 | Z 1500/32x160/R/355 |
| | | | | | 585 | | | 450 | 450 |
| 11 | 490 | 200 | 355 | Z 1500/32x200/R/355 | | | | | |
| | 585 | | 450 | 450 | | | | | |