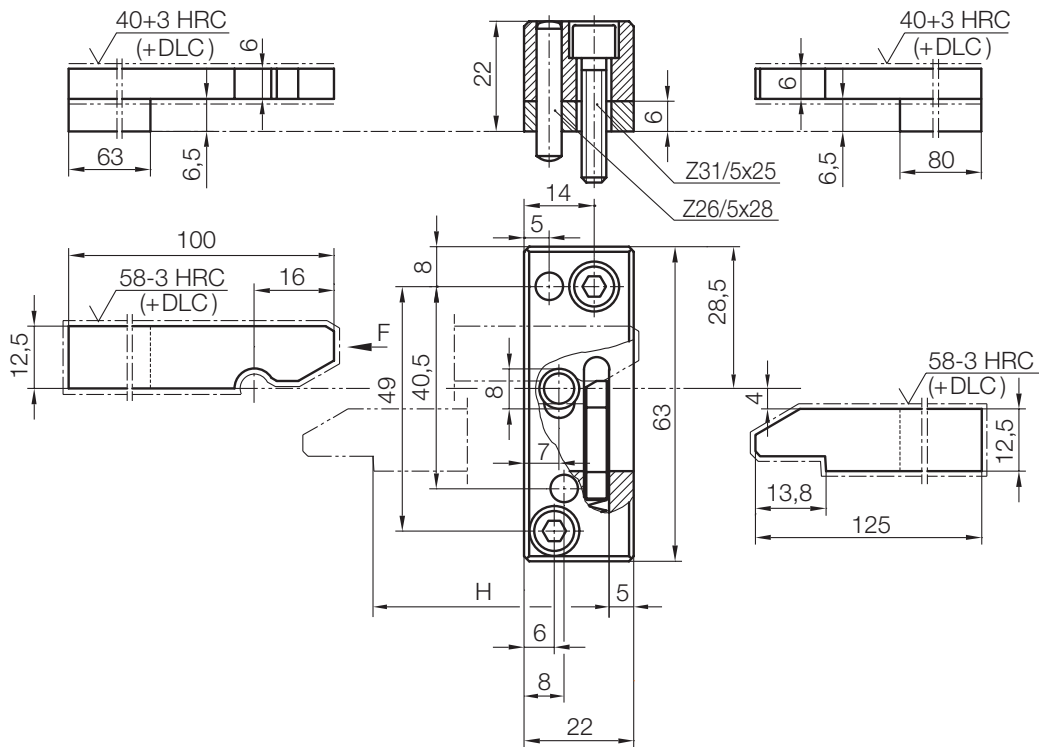
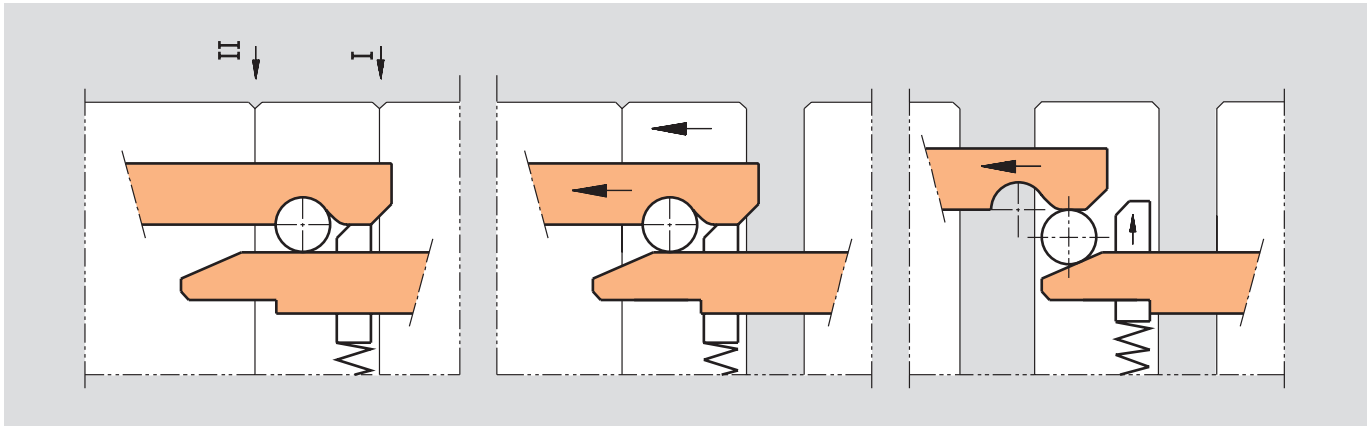


Z170/1

Klinkenzug, DLC
 Latch locking unit, DLC
 Loquet, DLC

Mat.: 1.2764



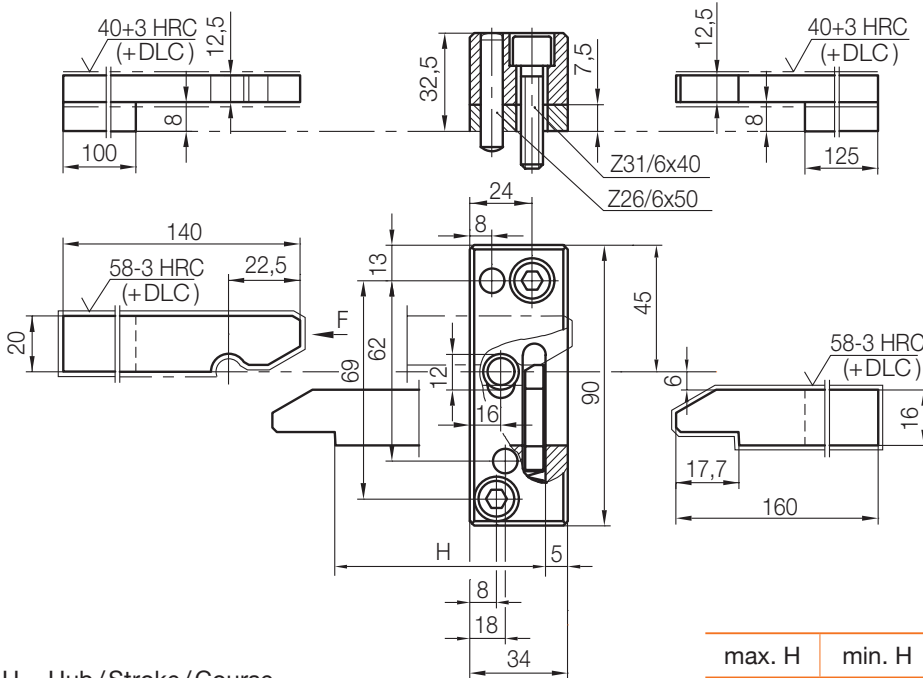
max. H	min. H	F[N]	Typ	Nr./No.
80	5,5	8000	1	Z170/1

H = Hub / Stroke / Course

Z170/2

Klinkenzug, DLC
 Latch locking unit, DLC
 Loquet, DLC

Mat.: 1.2764



H = Hub/Stroke/Course

max. H	min. H	F [N]	Typ	Nr./No.
110	9,5	14000	2	Z170/2

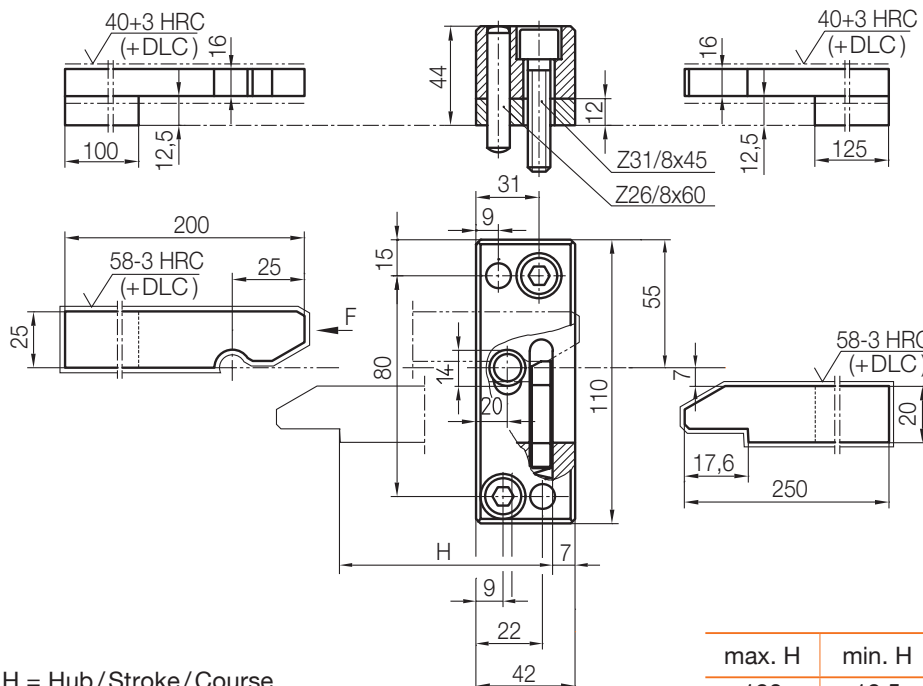


4

Z170/3

Klinkenzug, DLC
 Latch locking unit, DLC
 Loquet, DLC

Mat.: 1.2764



H = Hub/Stroke/Course

max. H	min. H	F [N]	Typ	Nr./No.
190	10,5	24000	3	Z170/3

