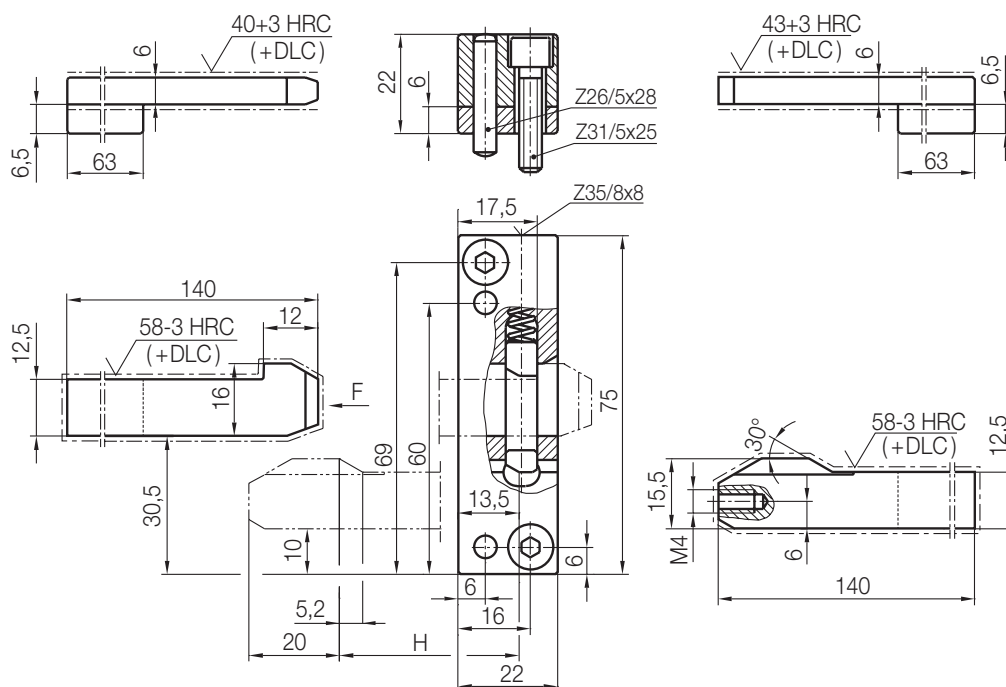
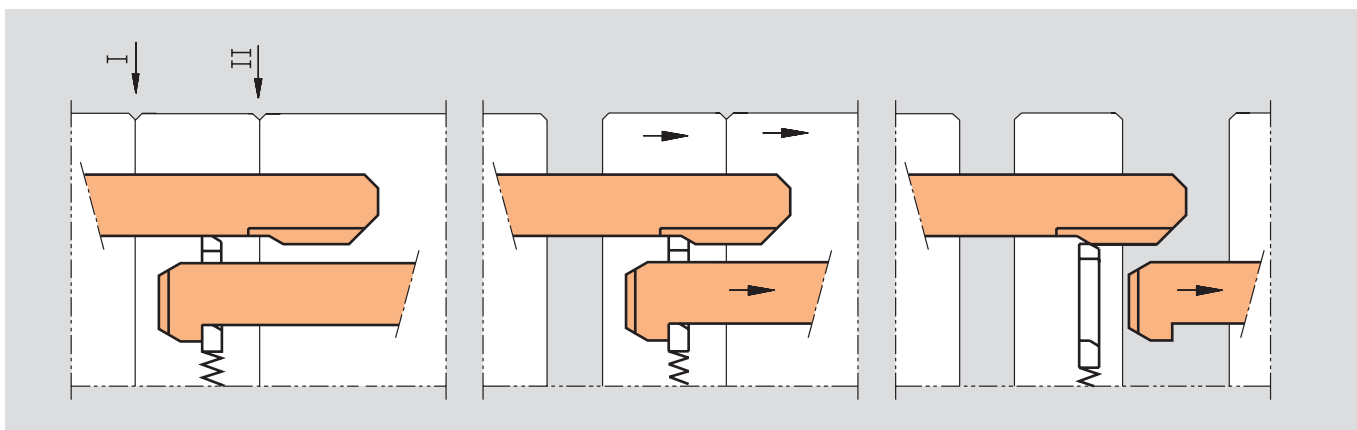


# Z171/1

Klinkenzug, DLC  
 Latch locking unit, DLC  
 Loquet, DLC

Mat.: 1.2764



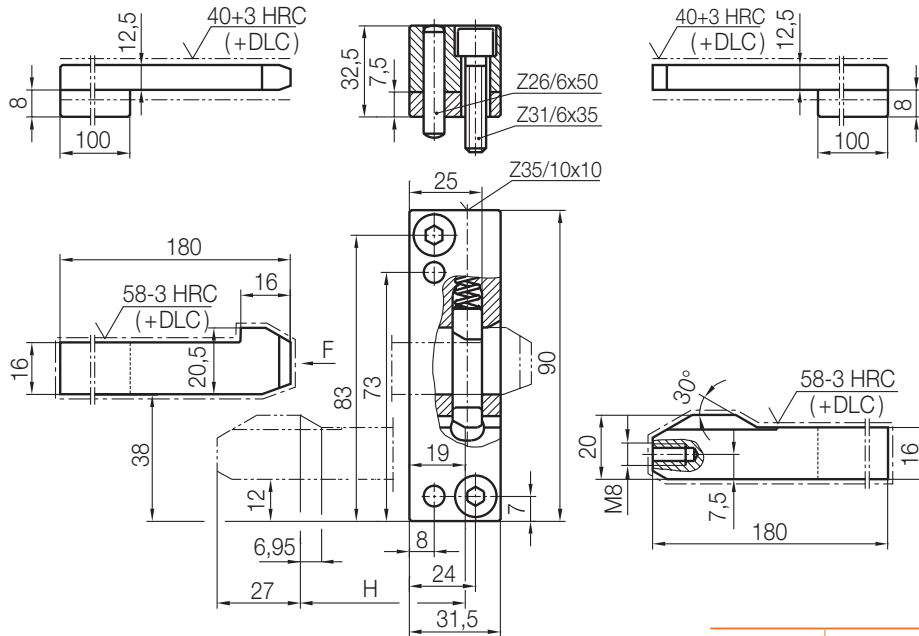
H = Hub/Stroke/Course

max. H	min. H	F[N]	Typ	Nr./No.
80	5,5	6500	1	Z171/1

# Z171/2

Klinkenzug, DLC  
 Latch locking unit, DLC  
 Loquet, DLC

Mat.: 1.2764



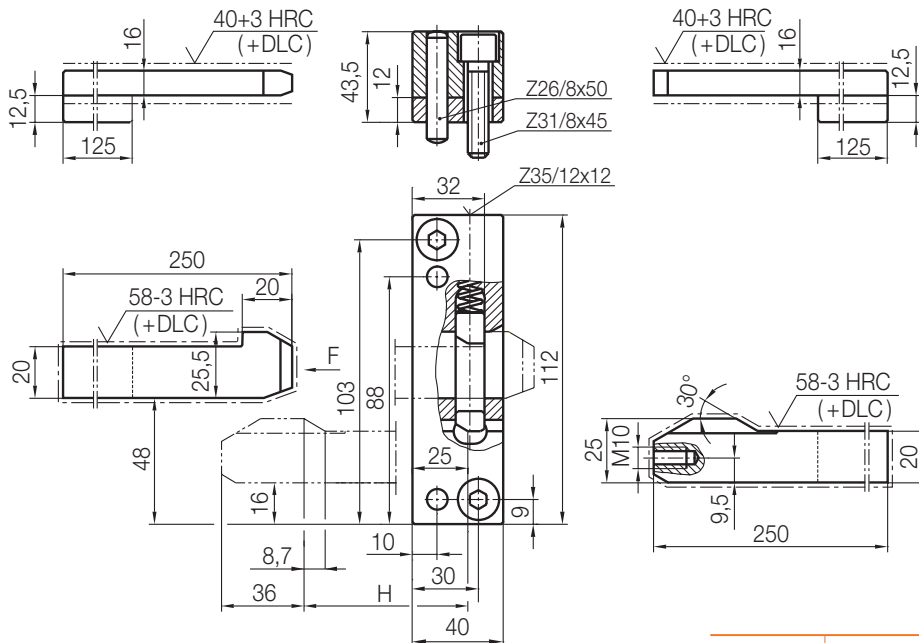
H = Hub/Stroke/Course

max. H	min. H	F [N]	Typ	Nr./No.
110	7	15500	2	Z171/2

# Z171/3

Klinkenzug, DLC  
 Latch locking unit, DLC  
 Loquet, DLC

Mat.: 1.2764



H = Hub/Stroke/Course

max. H	min. H	F [N]	Typ	Nr./No.
160	9	22000	3	Z171/3