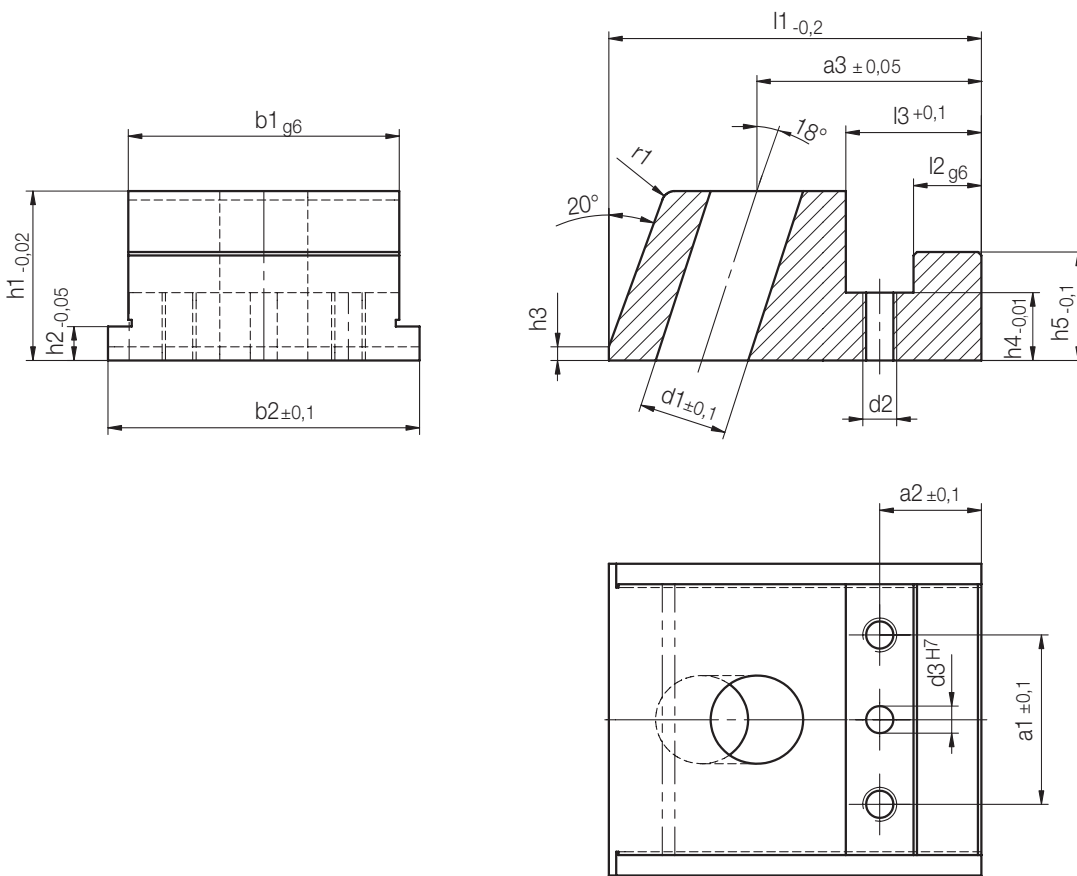
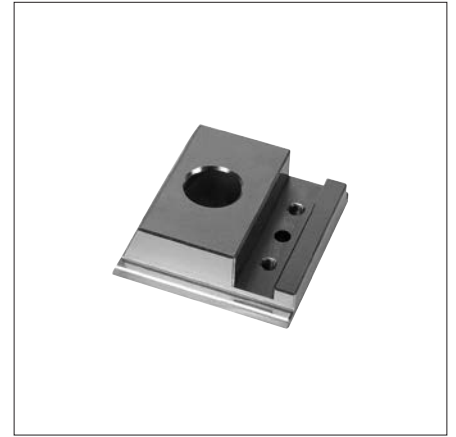


Z 1801/...

Schieber
Slide
Coulisseau

Mat.: 1.2343/54 HRC



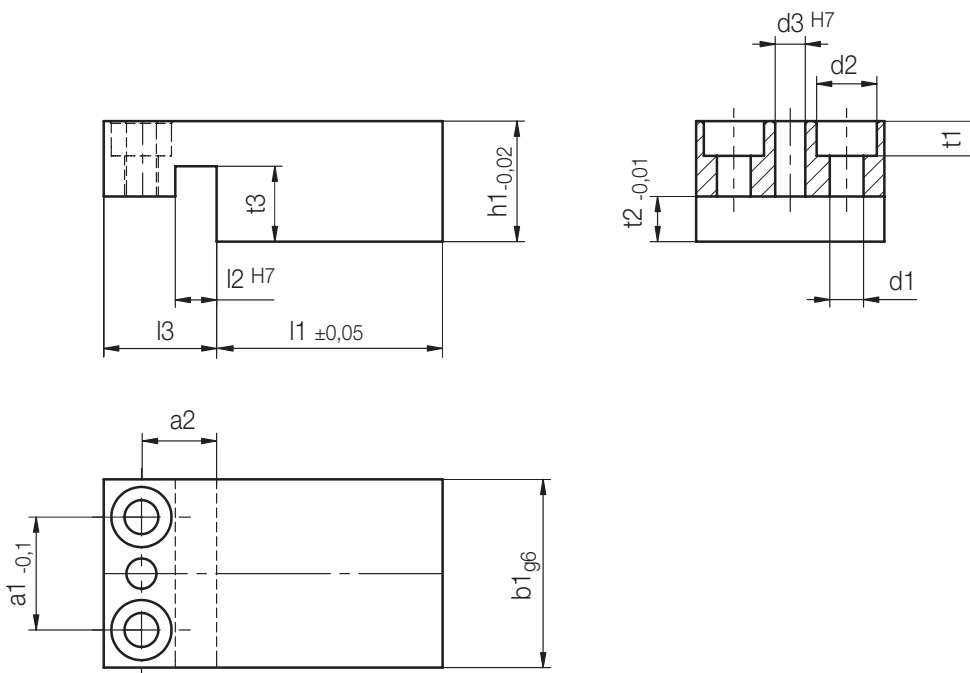
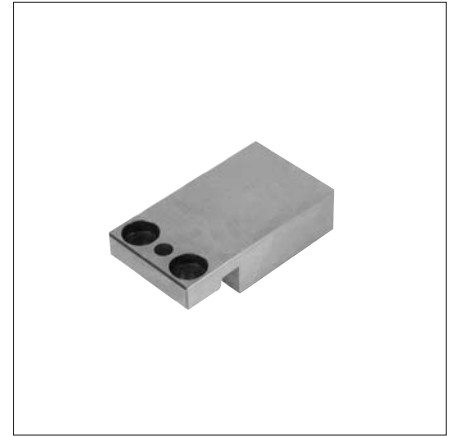
4

| r1 | h5 | h4 | h3 | h2 | a3 | a2 | a1 | b2 | l3 | l2 | d3 | d2 | d1 | h1 | b1 | l1 | Nr./No. |
|-----|------|------|-----|----|-------|----|----|----|------|-----|----|----|----|----|----|--------------------|--------------------|
| 1,5 | 8,4 | 5,5 | 1,5 | 4 | 25,45 | 10 | 15 | 31 | 15,1 | 5 | 4 | M4 | 11 | 12 | 25 | 40 | Z 1801/ 12x25 x 40 |
| | | | | | 24,45 | | 20 | 46 | | | | | 13 | | 40 | | 40 |
| | | | | | | | 30 | 69 | | | | | | | 63 | | 63 |
| | | 9,9 | 6 | | 28 | | | 15 | 31 | 5,5 | | | 16 | 25 | 45 | Z 1801/ 16x25 x 45 | |
| | | | | | 27 | | | 20 | 46 | | | | 15 | 63 | | 63 | 63 |
| | | | | | 30,7 | | | 30 | 69 | | | | 13 | 20 | 40 | 50 | Z 1801/20x40x50 |
| 2 | 13,4 | 9 | 2 | 5 | 31,7 | 13 | 20 | 46 | 18,1 | 8 | | | 13 | 20 | 40 | 50 | Z 1801/20x40x50 |
| | | | | | | | 30 | 69 | | | | | | | 63 | | 63 |
| | | 15,9 | 10 | | 30,7 | | | 40 | 86 | | | | 15 | | 80 | | 80 |
| | | | | | 33,45 | 16 | 20 | 46 | 22,1 | 10 | | M5 | | 25 | 40 | 55 | Z 1801/25x40x55 |
| | | | | | | | 30 | 69 | | | | | | 63 | | 63 | 63 |
| | | | | | | | 40 | 86 | | | | | | 80 | | 80 | 80 |

Z 1802 /...

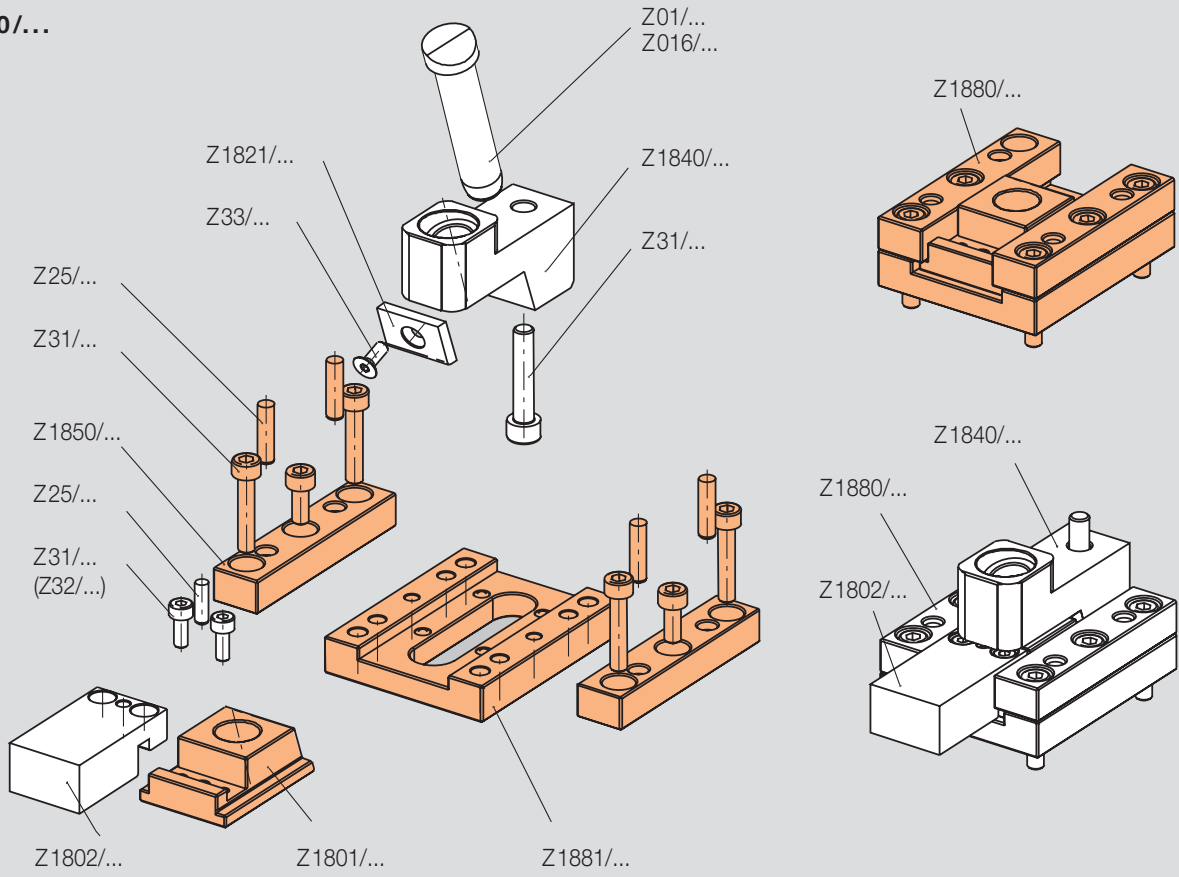
Konturaufsatz
Slide for contour
Insert

Mat.: 1.2767 / 55 HRC
Toolox 44 / 45 HRC

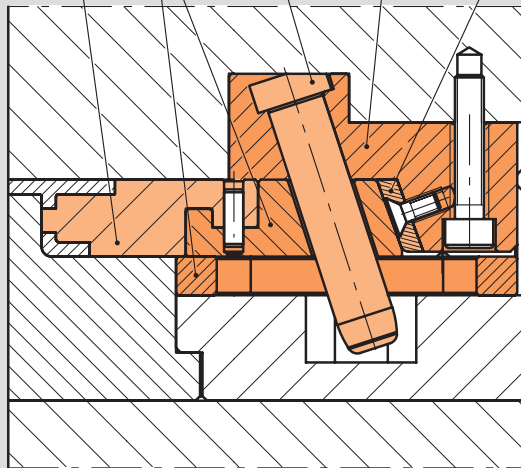
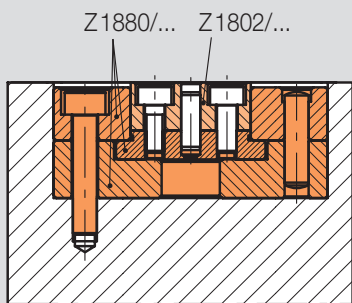


| t3 | t2 | t1 | a2 | a1 | l3 | l2 | d3 | d2 | d1 | h1 | b1 | l1 | Mat. | | Nr./No. |
|-----|-----|-----|----|----|----|-----|----|----|-----|----|----|----|--------|-----------|---------------------------|
| | | | | | | | | | | | | | 1.2767 | Toolox 44 | |
| 8,5 | 5,5 | 3,2 | 10 | 15 | 15 | 5 | 4 | 8 | 4,5 | 12 | 25 | 30 | x | x | Z 1802 / 12x25 x30 / Mat. |
| | | | | 20 | | | | | | | x | | x | 40 | |
| | | | | 30 | | | | | | | x | | x | 63 | |
| 10 | 6 | 4,6 | | 15 | | 5,5 | | | | 16 | 25 | 40 | x | x | Z 1802 / 16x25 x30 / Mat. |
| | | | | 20 | | | | | | | x | | x | 40 | |
| | | | | 30 | | | | | | | x | | x | 63 | |
| 14 | 9 | | 13 | 20 | 18 | 8 | | | | 20 | 40 | 40 | x | x | Z 1802 / 20x40 x40 / Mat. |
| | | | | 30 | | | | | | | x | | x | 63 | |
| | | | | 40 | | | | | | | x | | x | 80 | |
| 16 | 10 | 5,7 | 16 | 20 | 22 | 10 | | 10 | 5,5 | 25 | 40 | 40 | x | x | Z 1802 / 25x40 x40 / Mat. |
| | | | | 30 | | | | | | | x | | x | 63 | |
| | | | | 40 | | | | | | | x | | x | 80 | |

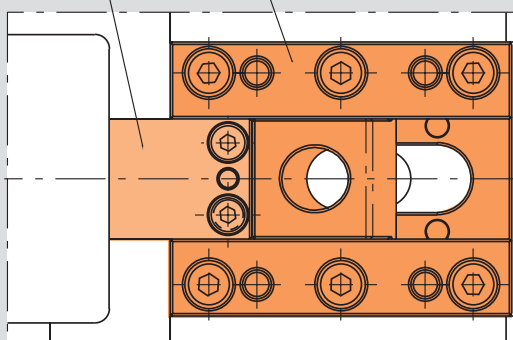
Z1880/...



Z1802/... Z1880/... Z01/... Z1840/... Z1821/...



Z1802/... Z1880/...



Z1880/...

Einbaubeispiel
Mounting example
Exemple de montage