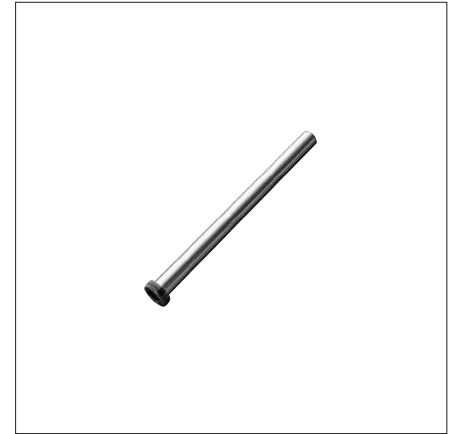


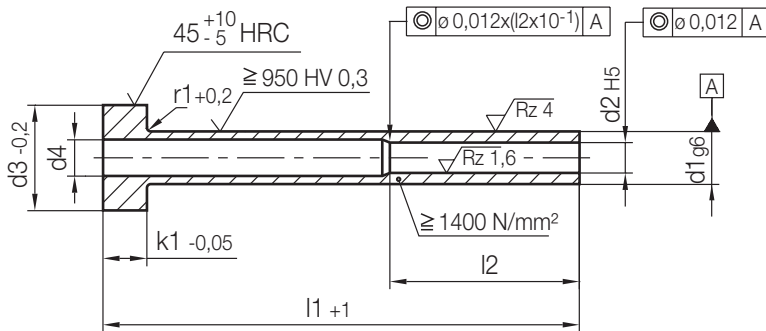
Z45/...

Auswerferhülse, gehärtet und nitriert
Ejector sleeve, hardened and nitrided
Ejecteur tubulaire, trempé et nitruré

Mat.: WAS (≈ 1.2343)
DIN ISO 8405



3



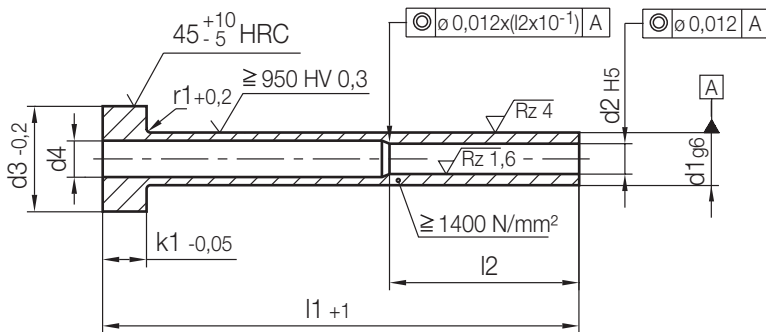
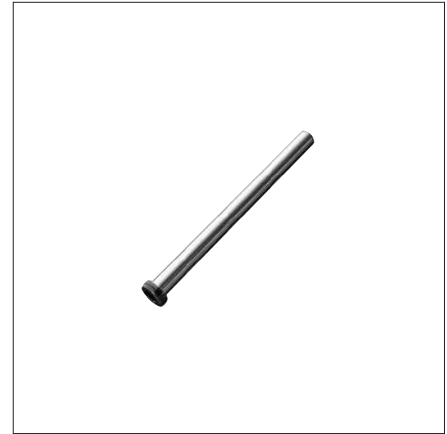
| r1 | k1 | l2 | d4 | d3 | d1 | d2 | l1 | Nr./No. | |
|-----|-----|-----|----------------|----|-----|-----|----------------|----------------|-----------------|
| 0,2 | 2 | 25 | 1,3 | 4 | 2 | 1 | 50 | Z45/2 x1 x 50 | |
| | | | | | | | 75 | 75 | |
| | | | | | | | 90 | 90 | |
| | | | | | | | 100 | 100 | |
| 0,3 | | | | 5 | 2,5 | 1,2 | 71 | Z45/2,5x1 x 71 | |
| | | | | | | | 80 | 80 | |
| | | | | | | | 90 | 90 | |
| | | | | | | | 100 | 100 | |
| | | | | | | 1,5 | 1,2 | 71 | Z45/2,5x1,2x 71 |
| | | | | | | | | 80 | 80 |
| | | | | | | | | 90 | 90 |
| | | | | | | | | 100 | 100 |
| | | | | | | 1,6 | 1,3 | 71 | Z45/2,5x1,3x 71 |
| | | | | | | | | 80 | 80 |
| | | | | | | | | 90 | 90 |
| | | | | | | | | 100 | 100 |
| 3 | 35 | 1,8 | 6 | 3 | 1,5 | 50 | Z45/3 x1,5x 50 | | |
| | | | | | | 60 | 60 | | |
| | | | | | | 71 | 71 | | |
| | | | | | | 80 | 80 | | |
| | | | | | | 90 | 90 | | |
| | | | | | | 100 | 100 | | |
| | | | | | | 112 | 112 | | |
| | | | | | | 125 | 125 | | |
| | | | | | | 140 | 140 | | |
| | | | | | | 150 | 150 | | |
| | | | | | | 100 | 100 | | |
| | | | | | | 112 | 112 | | |
| | | | | | | 125 | 125 | | |
| | | | | | | 140 | 140 | | |
| 150 | 150 | | | | | | | | |
| 2 | 1,6 | 60 | Z45/3 x1,6x 60 | | | | | | |
| 75 | 75 | | | | | | | | |

| r1 | k1 | l2 | d4 | d3 | d1 | d2 | l1 | Nr./No. | | | | |
|-----|-----|-----|-----|----------------|----|-----|-----|----------------|-----|----|---------------|----------------|
| 0,3 | 3 | 35 | 2 | 6 | 3 | 1,6 | 80 | Z45/3 x1,6x 80 | | | | |
| | | | | | | | 90 | 90 | | | | |
| | | | | | | | 100 | 100 | | | | |
| | | | | | | | 112 | 112 | | | | |
| | | | | | | | 125 | 125 | | | | |
| | | | | | | | 140 | 140 | | | | |
| | | | | | | | 150 | 150 | | | | |
| | | | | | | | 175 | 175 | | | | |
| | | | | | | | 2,3 | 7 | 3,5 | 2 | 71 | Z45/3,5x2 x 71 |
| | | | | | | | | | | | 80 | 80 |
| | | | | | | | | | | | 90 | 90 |
| | | | | | | | | | | | 100 | 100 |
| | | | | | | | | | | | 112 | 112 |
| | | | | | | | | | | | 125 | 125 |
| | | | | | | | | | | | 140 | 140 |
| | | | | | | | 2,4 | 8 | 4 | 60 | Z45/4 x2 x 60 | |
| | | | | | | | | | | 75 | 75 | |
| 100 | 100 | | | | | | | | | | | |
| 125 | 125 | | | | | | | | | | | |
| 150 | 150 | | | | | | | | | | | |
| 175 | 175 | | | | | | | | | | | |
| 200 | 200 | | | | | | | | | | | |
| 225 | 225 | | | | | | | | | | | |
| 2,5 | | 2,2 | 60 | Z45/4 x2,2x 60 | | | | | | | | |
| | | | 75 | 75 | | | | | | | | |
| | | | 100 | 100 | | | | | | | | |
| | | | 125 | 125 | | | | | | | | |
| | | | 150 | 150 | | | | | | | | |

Z45/...

Auswerferhülse, gehärtet und nitriert
Ejector sleeve, hardened and nitrided
Ejecteur tubulaire, trempé et nitruvé

Mat.: WAS (≈ 1.2343)
DIN ISO 8405



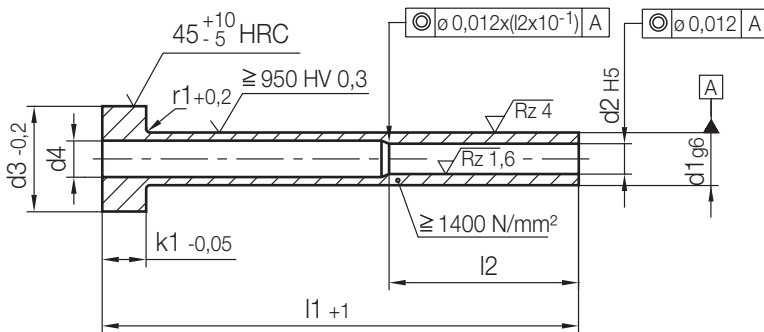
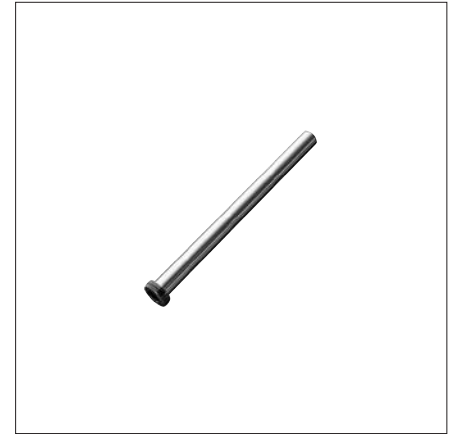
| r1 | k1 | l2 | d4 | d3 | d1 | d2 | l1 | Nr./No. | | |
|-----|-----|-----|-----|-----|-----|-----|-----------------|----------------|----|----------------|
| 0,3 | 3 | 35 | 2,5 | 8 | 4 | 2,2 | 175 | Z45/4 x2,2x175 | | |
| | | | | | | | 200 | 200 | | |
| | | | | | | | 225 | 225 | | |
| | | | | | | | 2,8 | 2,5 | 50 | Z45/4 x2,5x 50 |
| | | | | | | | | | 56 | 56 |
| | | | | | | | | | 63 | 63 |
| | | | | | | | | | 71 | 71 |
| | | | | | | | | | 80 | 80 |
| | | | | | | | | | 90 | 90 |
| | | 100 | 100 | | | | | | | |
| | | 112 | 112 | | | | | | | |
| | | 125 | 125 | | | | | | | |
| | | 50 | 3 | 4,5 | 3 | 50 | Z45/4,5x2,5x100 | | | |
| | | | | | | 112 | 112 | | | |
| | | | | | | 125 | 125 | | | |
| | | | | | | 140 | 140 | | | |
| | | | | | | 45 | 3,3 | 3 | 50 | Z45/4,5x3 x 50 |
| | | | | | | | | | 56 | 56 |
| | | 63 | 63 | | | | | | | |
| | | 71 | 71 | | | | | | | |
| | | 80 | 80 | | | | | | | |
| | | 45 | 3,3 | 3 | 90 | 90 | | | | |
| | | | | | 100 | 100 | | | | |
| | | | | | 112 | 112 | | | | |
| 100 | 100 | | | | | | | | | |
| 112 | 112 | | | | | | | | | |

| r1 | k1 | l2 | d4 | d3 | d1 | d2 | l1 | Nr./No. | | | | | | |
|-----|----|-----|-----|----|----|-----|-----|----------------|----------------|---|---|---|-----|---------------|
| 0,3 | 3 | 35 | 3 | 10 | 5 | 2,5 | 60 | Z45/5 x2,5x 60 | | | | | | |
| | | | | | | | 75 | 75 | | | | | | |
| | | | | | | | 100 | 100 | | | | | | |
| | | | | | | | 125 | 125 | | | | | | |
| | | | | | | | 150 | 150 | | | | | | |
| | | | | | | | 175 | 175 | | | | | | |
| | | | | | | | 200 | 200 | | | | | | |
| | | | | | | | 225 | 225 | | | | | | |
| | | | | | | | 45 | 3,5 | 3 | 3 | 3 | 3 | 60 | Z45/5 x3 x 60 |
| | | | | | | | | | | | | | 75 | 75 |
| | | | | | | | | | | | | | 100 | 100 |
| | | | | | | | | | | | | | 112 | 112 |
| | | 125 | 125 | | | | | | | | | | | |
| | | 140 | 140 | | | | | | | | | | | |
| | | 45 | 3,5 | 3 | 3 | 3 | 3,2 | 60 | Z45/5 x3,2x 60 | | | | | |
| | | | | | | | | 75 | 75 | | | | | |
| | | | | | | | | 100 | 100 | | | | | |
| | | | | | | | | 125 | 125 | | | | | |
| | | | | | | | | 150 | 150 | | | | | |
| | | | | | | | | 175 | 175 | | | | | |
| | | 45 | 3,5 | 3 | 3 | 3 | 3,2 | 200 | 200 | | | | | |

Z45/...

Auswerferhülse, gehärtet und nitriert
 Ejector sleeve, hardened and nitrided
 Ejecteur tubulaire, trempé et nitruré

Mat.: WAS (≈ 1.2343)
 DIN ISO 8405



3

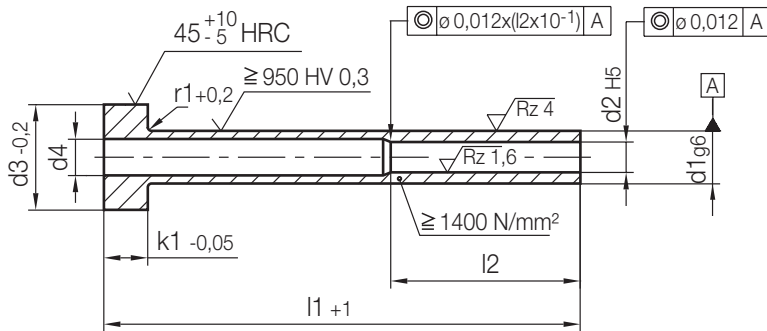
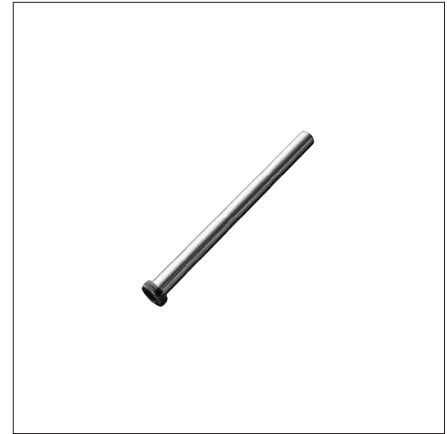
| r1 | k1 | l2 | d4 | d3 | d1 | d2 | l1 | Nr./No. | |
|-----|----|-----|-----|-----|-----|----------------|-----|----------------|----------------|
| 0,3 | 3 | 45 | 3,5 | 10 | 5 | 3,2 | 225 | Z45/5 x3,2x225 | |
| | | | | | | | 250 | 250 | |
| | | | | | | | 3,5 | 56 | Z45/5 x3,5x 56 |
| | | | | | | | | 63 | 63 |
| | | | | | | | | 71 | 71 |
| | | | | | | | | 80 | 80 |
| | | | 90 | | | 90 | | | |
| | | | 100 | | | 100 | | | |
| | | | 3,8 | | | 5,5 | 112 | 112 | |
| | | | | | | | 125 | 125 | |
| | | | | | | | 150 | 150 | |
| | | | | | | | 175 | 175 | |
| | | 200 | | 200 | | | | | |
| | | 225 | | 225 | | | | | |
| | | 4,3 | 4 | 4,5 | 56 | Z45/5,5x4 x 56 | | | |
| | | | | | 63 | 63 | | | |
| | | | | | 71 | 71 | | | |
| | | | | | 80 | 80 | | | |
| | | | | | 90 | 90 | | | |
| | | | | | 100 | 100 | | | |
| | | | | 4,5 | 112 | 112 | | | |
| | | | | | 125 | 125 | | | |

| r1 | k1 | l2 | d4 | d3 | d1 | d2 | l1 | Nr./No. | |
|-----|----|-----|---------------|----|----|-----|-----|----------------|----------------|
| 0,5 | 5 | 45 | 4 | 12 | 6 | 3,5 | 60 | Z45/6 x3,5x 60 | |
| | | | | | | | 75 | 75 | |
| | | | | | | | 100 | 100 | |
| | | | | | | | 125 | 125 | |
| | | | | | | | 150 | 150 | |
| | | | | | | | 175 | 175 | |
| | | | | | | | 200 | 200 | |
| | | | | | | | 225 | 225 | |
| | | | | | | | 250 | 250 | |
| | | | | | | | 275 | 275 | |
| | | | | | | | 300 | 300 | |
| | | | | | | | 325 | 325 | |
| | | | | | | 3,7 | 3,7 | 60 | Z45/6 x3,7x 60 |
| | | | | | | | | 75 | 75 |
| | | | | | | | | 100 | 100 |
| | | | | | | | | 125 | 125 |
| | | | | | | | | 150 | 150 |
| | | | | | | | | 175 | 175 |
| | | | | | | | 4 | 200 | 200 |
| | | | | | | | | 225 | 225 |
| | | | | | | | | 250 | 250 |
| | | | | | | | | 275 | 275 |
| | | | | | | | | 300 | 300 |
| | | | | | | | | 325 | 325 |
| 4,5 | 4 | 60 | Z45/6 x4 x 60 | | | | | | |
| | | 75 | 75 | | | | | | |
| | | 100 | 100 | | | | | | |
| | | 112 | 112 | | | | | | |

Z45/...

Auswerferhülse, gehärtet und nitriert
Ejector sleeve, hardened and nitrided
Ejecteur tubulaire, trempé et nitruvé

Mat.: WAS (≈ 1.2343)
DIN ISO 8405



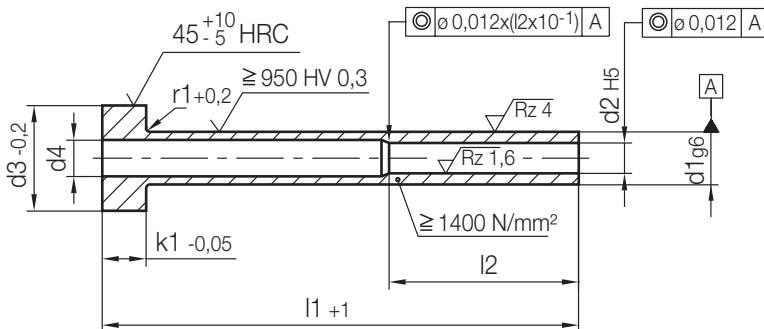
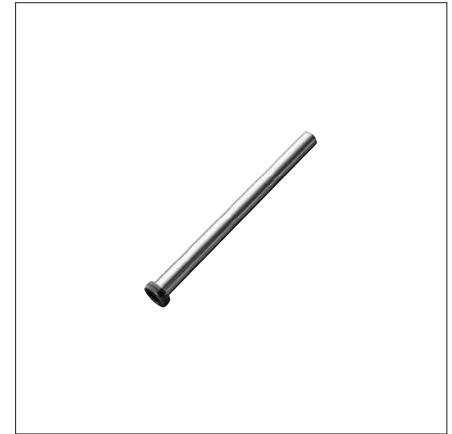
| r1 | k1 | l2 | d4 | d3 | d1 | d2 | l1 | Nr./No. | | | | |
|-----|-----|-----|-----|-----|----------------|-----|-----|---------------|-----|----------------|-----|-----|
| 0,5 | 5 | 45 | 4,5 | 12 | 6 | 4 | 125 | Z45/6 x4 x125 | | | | |
| | | | | | | | 140 | 140 | | | | |
| | | | | | | | 150 | 150 | | | | |
| | | | | | | | 160 | 160 | | | | |
| | | | | | | | 175 | 175 | | | | |
| | | | | | | | 180 | 180 | | | | |
| | | | | | | | 200 | 200 | | | | |
| | | | | | | | 225 | 225 | | | | |
| | | | | | | | 250 | 250 | | | | |
| | | | | | | | 275 | 275 | | | | |
| | | | | | | | 300 | 300 | | | | |
| | | | | | | | 325 | 325 | | | | |
| | | 4,8 | 4,5 | 100 | Z45/6 x4,5x100 | | | | | | | |
| | | | | | | 125 | 125 | | | | | |
| | | | | | | 150 | 150 | | | | | |
| | | | | | | 175 | 175 | | | | | |
| | | | | | | 200 | 200 | | | | | |
| | | | | | | 225 | 225 | | | | | |
| | | | | | | 250 | 250 | | | | | |
| | | | | | | 5 | 7 | 4,5 | 112 | Z45/7 x4,5x112 | | |
| | | | | | | | | | | | 125 | 125 |
| | | | | | | | | | | | 140 | 140 |
| | | | | | | | | | | | 160 | 160 |
| | | | | | | | | | | | 180 | 180 |
| 200 | 200 | | | | | | | | | | | |
| 225 | 225 | | | | | | | | | | | |
| 250 | 250 | | | | | | | | | | | |
| 280 | 280 | 280 | 280 | 280 | | | | | | | | |

| r1 | k1 | l2 | d4 | d3 | d1 | d2 | l1 | Nr./No. | | | | | | |
|-----|-----|-----|-----|-----|----|----|---------------|---------------|-----|-----|----|----------------|-----|-----|
| 0,5 | 5 | 45 | 5,3 | 12 | 7 | 5 | 56 | Z45/7 x5 x 56 | | | | | | |
| | | | | | | | 63 | 63 | | | | | | |
| | | | | | | | 71 | 71 | | | | | | |
| | | | | | | | 80 | 80 | | | | | | |
| | | | | | | | 90 | 90 | | | | | | |
| | | | | | | | 100 | 100 | | | | | | |
| | | | | | | | 112 | 112 | | | | | | |
| | | | | | | | 125 | 125 | | | | | | |
| | | | | | | | 4,5 | 14 | 8 | 4,2 | 60 | Z45/8 x4,2x 60 | | |
| | | | | | | | | | | | | | 75 | 75 |
| | | | | | | | | | | | | | 100 | 100 |
| | | | | | | | | | | | | | 125 | 125 |
| | | 150 | 150 | | | | | | | | | | | |
| | | 175 | 175 | | | | | | | | | | | |
| | | 200 | 200 | | | | | | | | | | | |
| | | 225 | 225 | | | | | | | | | | | |
| | | 250 | 250 | | | | | | | | | | | |
| | | 275 | 275 | | | | | | | | | | | |
| | | 300 | 300 | | | | | | | | | | | |
| | | 325 | 325 | | | | | | | | | | | |
| | | 100 | 45 | 5,5 | 5 | 60 | Z45/8 x5 x 60 | | | | | | | |
| | | | | | | | | 75 | 75 | | | | | |
| | | | | | | | | 100 | 100 | | | | | |
| | | | | | | | | 125 | 125 | | | | | |
| 150 | 150 | | | | | | | | | | | | | |
| 175 | 175 | | | | | | | | | | | | | |
| 200 | 200 | | | | | | | | | | | | | |
| 200 | 200 | | | | | | | | | | | | | |

Z45/...

Auswerferhülse, gehärtet und nitriert
Ejector sleeve, hardened and nitrided
Ejecteur tubulaire, trempé et nitruré

Mat.: WAS (≈ 1.2343)
DIN ISO 8405



3

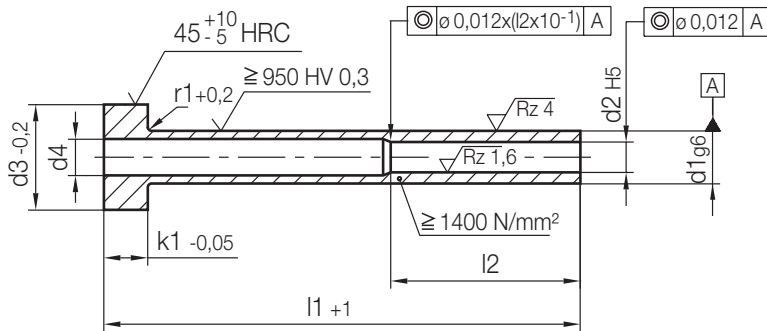
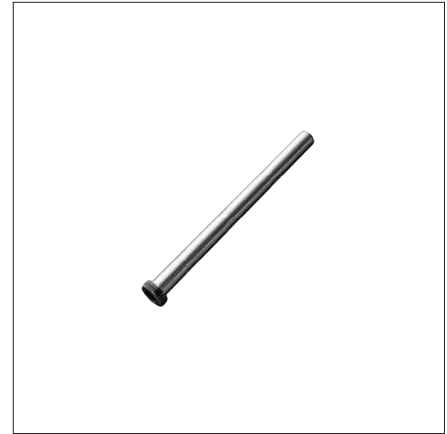
| r1 | k1 | l2 | d4 | d3 | d1 | d2 | l1 | Nr./No. | | | | | | |
|-----|----|-----|-----|----|-----|----|-----|---------------|---------------|-----|---|---|-----|----------------|
| 0,5 | 5 | 45 | 5,5 | 14 | 8 | 5 | 225 | Z45/8 x5 x225 | | | | | | |
| | | | | | | | 250 | 250 | | | | | | |
| | | | | | | | 275 | 275 | | | | | | |
| | | | | | | | 300 | 300 | | | | | | |
| | | | | | | | 325 | 325 | | | | | | |
| | | | | | | | 400 | 400 | | | | | | |
| | | | | | | | 100 | 5,2 | 45 | 5,8 | 9 | 6 | 75 | Z45/8 x5,2x 75 |
| | | | | | | | | | | | | | 100 | 100 |
| | | | | | | | | | | | | | 125 | 125 |
| | | | | | | | | | | | | | 150 | 150 |
| | | 175 | 175 | | | | | | | | | | | |
| | | 200 | 200 | | | | | | | | | | | |
| | | 225 | 225 | | | | | | | | | | | |
| | | 250 | 250 | | | | | | | | | | | |
| | | 275 | 275 | | | | | | | | | | | |
| | | 300 | 300 | | | | | | | | | | | |
| | | 6,5 | 9 | 6 | 6,5 | 9 | 6 | 125 | Z45/9 x6 x125 | | | | | |
| | | | | | | | | 140 | 140 | | | | | |
| | | | | | | | | 160 | 160 | | | | | |

| r1 | k1 | l2 | d4 | d3 | d1 | d2 | l1 | Nr./No. | | | | | | |
|-----|----|-----|-----|----|-----|----|-----|---------------|----------------|-----|---|---|-----|---------------|
| 0,5 | 5 | 45 | 6,5 | 14 | 9 | 6 | 180 | Z45/ 9x6 x180 | | | | | | |
| | | | | | | | 200 | 200 | | | | | | |
| | | | | | | | 225 | 225 | | | | | | |
| | | | | | | | 250 | 250 | | | | | | |
| | | | | | | | 280 | 280 | | | | | | |
| | | | | | | | 16 | 10 | 45 | 5,8 | 9 | 6 | 60 | Z45/10x6 x 60 |
| | | | | | | | | | | | | | 75 | 75 |
| | | | | | | | | | | | | | 100 | 100 |
| | | | | | | | | | | | | | 125 | 125 |
| | | | | | | | | | | | | | 150 | 150 |
| | | 175 | 175 | | | | | | | | | | | |
| | | 200 | 200 | | | | | | | | | | | |
| | | 225 | 225 | | | | | | | | | | | |
| | | 250 | 250 | | | | | | | | | | | |
| | | 275 | 275 | | | | | | | | | | | |
| | | 45 | 6,2 | 45 | 6,5 | 9 | 6 | 60 | Z45/10x6,2x 60 | | | | | |
| | | | | | | | | 75 | 75 | | | | | |
| | | | | | | | | 100 | 100 | | | | | |
| | | | | | | | | 125 | 125 | | | | | |
| | | | | | | | | 150 | 150 | | | | | |
| | | | | | | | | 175 | 175 | | | | | |
| | | | | | | | | 200 | 200 | | | | | |
| | | | | | | | | 225 | 225 | | | | | |
| | | | | | | | | 250 | 250 | | | | | |
| | | | | | | | | 275 | 275 | | | | | |

Z45/...

Auswerferhülse, gehärtet und nitriert
Ejector sleeve, hardened and nitrided
Ejecteur tubulaire, trempé et nitruvé

Mat.: WAS (≈ 1.2343)
DIN ISO 8405



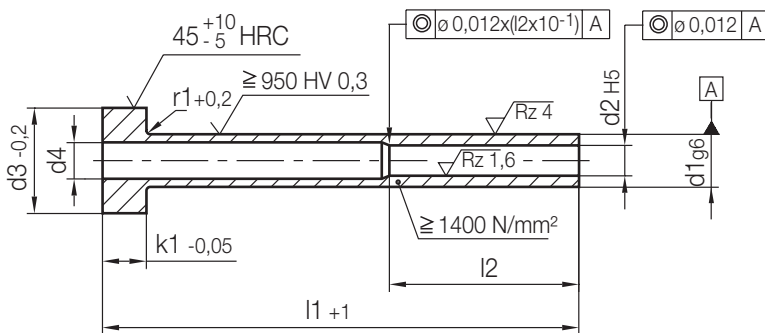
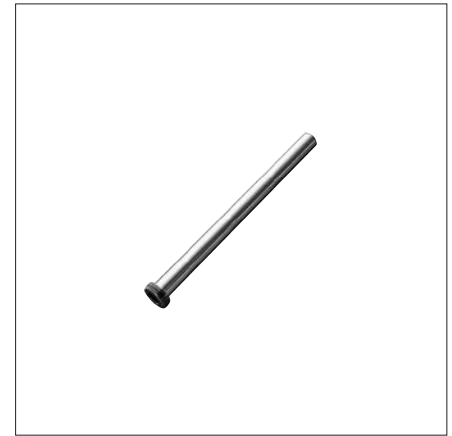
| r1 | k1 | l2 | d4 | d3 | d1 | d2 | l1 | Nr./No. | | |
|-----|---------------|-----|-----|----|----|---------------|---------------|----------------|-----|---------------|
| 0,5 | 5 | 45 | 6,5 | 16 | 10 | 6,2 | 300 | Z45/10x6,2x300 | | |
| | | | | | | | 325 | 325 | | |
| | | | | | | | 7,5 | 7 | 125 | Z45/10x7 x125 |
| | | | | | | | | | 140 | 140 |
| | | | | | | | | | 160 | 160 |
| | | | | | | | | | 180 | 180 |
| | | | | | | | | | 200 | 200 |
| | | | | | | | | | 225 | 225 |
| | | | | | | | | | 250 | 250 |
| | | | | | | | | | 280 | 280 |
| | | 8,5 | 18 | 11 | 8 | 63 | Z45/11x8 x 63 | | | |
| | | | | | | 71 | 71 | | | |
| | | | | | | 80 | 80 | | | |
| | | | | | | 90 | 90 | | | |
| | | | | | | 100 | 100 | | | |
| | | | | | | 112 | 112 | | | |
| | | | | | | 125 | 125 | | | |
| | | | | | | 140 | 140 | | | |
| | | | | | | 150 | 150 | | | |
| | | | | | | 175 | 175 | | | |
| 200 | Z45/11x8 x200 | | | | | | | | | |
| 225 | 225 | | | | | | | | | |
| 250 | 250 | | | | | | | | | |
| 300 | 300 | | | | | | | | | |
| 325 | 325 | | | | | | | | | |
| 400 | 400 | | | | | | | | | |
| 0,8 | 7 | 45 | 20 | 12 | 60 | Z45/12x8 x 60 | | | | |
| | | | | | 75 | 75 | | | | |

| r1 | k1 | l2 | d4 | d3 | d1 | d2 | l1 | Nr./No. | |
|-----|-----|------------|-----|-------------|----|-----|---------------|---------------|----------------|
| 0,8 | 7 | 45 | 8,5 | 20 | 12 | 8 | 100 | Z45/12x8 x100 | |
| | | | | | | | 125 | 125 | |
| | | | | | | | 150 | 150 | |
| | | | | | | | 175 | 175 | |
| | | | | | | | 200 | 200 | |
| | | | | | | | 225 | 225 | |
| | | | | | | | 250 | 250 | |
| | | | | | | | 275 | 275 | |
| | | | | | | | 300 | 300 | |
| | | | | | | | 325 | 325 | |
| | | 400 | 400 | | | | | | |
| | | 8,2 | 75 | Z45/12x8,2x | 75 | 75 | 8,2 | 75 | Z45/12x8,2x 75 |
| | | | | | | | | 100 | 100 |
| | | | | | | | | 125 | 125 |
| | | | | | | | | 150 | 150 |
| | | | | | | | | 175 | 175 |
| | | | | | | | | 200 | 200 |
| | | | | | | | | 225 | 225 |
| | | | | | | | | 250 | 250 |
| | | | | | | | | 275 | 275 |
| 300 | 300 | | | | | | | | |
| 325 | 325 | | | | | | | | |
| 9 | 63 | Z45/12x9 x | 63 | 63 | 9 | 63 | Z45/12x9 x 63 | | |
| | | | | | | 71 | 71 | | |
| | | | | | | 80 | 80 | | |
| | | | | | | 90 | 90 | | |
| | | | | | | 100 | 100 | | |
| | | | | | | 112 | 112 | | |

Z45/...

Auswerferhülse, gehärtet und nitriert
 Ejector sleeve, hardened and nitrided
 Ejecteur tubulaire, trempé et nitruré

Mat.: WAS (≈ 1.2343)
 DIN ISO 8405



| r1 | k1 | l2 | d4 | d3 | d1 | d2 | l1 | Nr./No. |
|-----|-----|-----|------|------|----|----|-----|----------------|
| 0,8 | 7 | 45 | 9,3 | 20 | 12 | 9 | 125 | Z45/12x 9 x125 |
| | | | | | | | 140 | 140 |
| | | | | | | | 150 | 150 |
| | | | | | | | 175 | 175 |
| | | | | | | | 200 | 200 |
| | | | 225 | 225 | | | | |
| | | | 10,5 | 22 | 14 | 10 | 75 | Z45/14x10 x 75 |
| | | | | | | | 100 | 100 |
| | | | | | | | 125 | 125 |
| | | | | | | | 140 | 140 |
| | | 150 | | | | | 150 | |
| | | 100 | 45 | 12,5 | 16 | 12 | 75 | Z45/16x12 x 75 |
| | | | | | | | 100 | 100 |
| | | | | | | | 125 | 125 |
| | | | | | | | 140 | 140 |
| | | | | | | | 150 | 150 |
| | | | | | | | 160 | 160 |
| | | | | | | | 175 | 175 |
| | | | | | | | 200 | 200 |
| | | | | | | | 225 | 225 |
| 250 | 250 | | | | | | | |

| r1 | k1 | l2 | d4 | d3 | d1 | d2 | l1 | Nr./No. | |
|-----|-----|----|------|----|------|-----|----------------|----------------|----------------|
| 0,8 | 7 | 45 | 12,5 | 22 | 16 | 12 | 225 | Z45/16x12 x225 | |
| | | | | | | | 250 | 250 | |
| | | | | | | | 275 | 275 | |
| | | 1 | 100 | 16 | 26 | 20 | 16 | 100 | Z45/20x16 x100 |
| | | | | | | | | 125 | 125 |
| | | | | 45 | 16,5 | 20 | 16 | 140 | 140 |
| | | | | | | | | 160 | 160 |
| | | | | | | | | 180 | 180 |
| | | | | | | | | 200 | 200 |
| 10 | 100 | 20 | 32 | 25 | 20 | 100 | Z45/25x20 x100 | | |
| | | | | | | 125 | 125 | | |
| | | 45 | 20,5 | 25 | 20 | 140 | 140 | | |
| | | | | | | 160 | 160 | | |
| | | | | | | 180 | 180 | | |
| | | | | | | 200 | 200 | | |
| | | | | | | 225 | 225 | | |
| | | | | | | 250 | 250 | | |
| | | | | | | 280 | 280 | | |
| | | | | | | | | | |