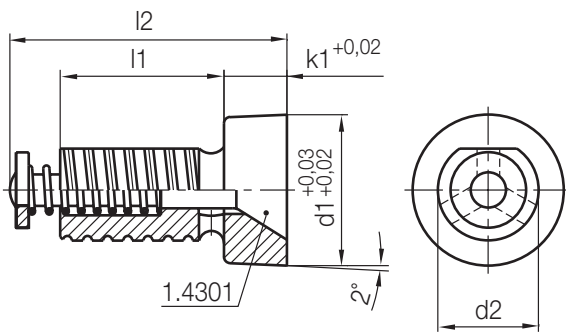
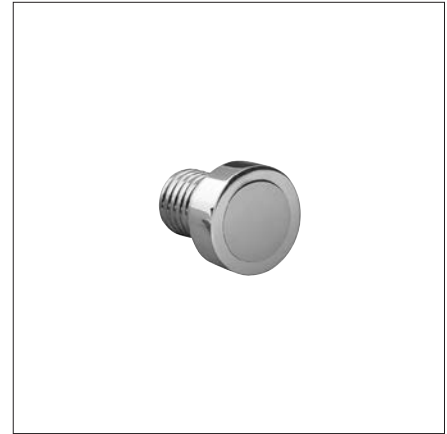


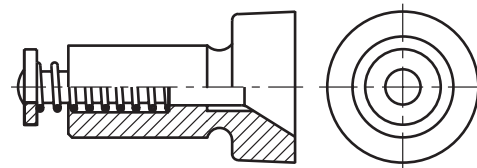
Z491/...

Belüftungsventil, pneumatisch
Air valve, pneumatically activated
Soupape, pneumatique

Mat.: Ampcoloy 940
max. C°: 250



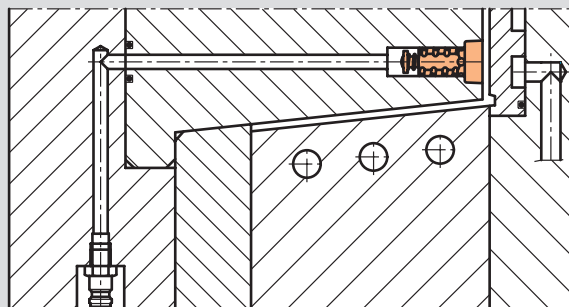
Typ 1



Typ 2

| Typ | k1 | l2 | l1 | d1 | d2 | Nr./No. |
|-----|----|----|----|-----------|-----------|------------|
| 2 | 5 | 16 | 8 | 8 | 6 | Z491/ 8x 6 |
| 1 | | 21 | 13 | 12 | 8 | 12x 8 |
| | 6 | 22 | 12 | 16 | 10 | 16x10 |

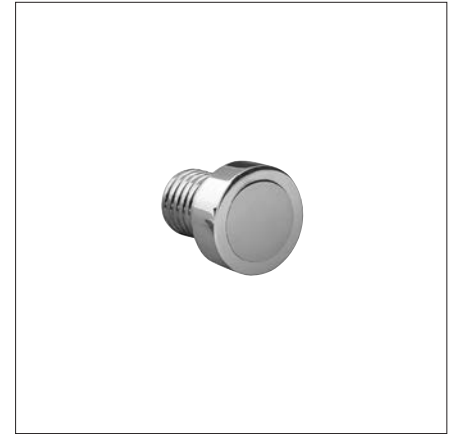
Z491/...
Z4911/...



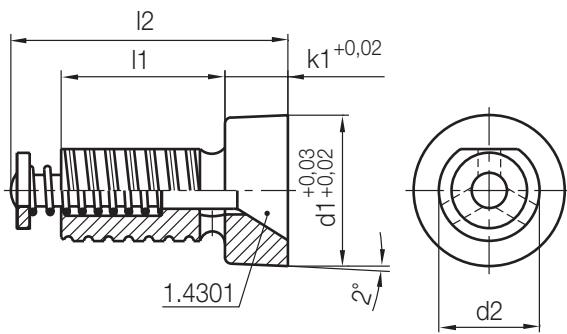
Z4911/...

Belüftungsventil, pneumatisch
 Air valve, pneumatically activated
 Soupape, pneumatique

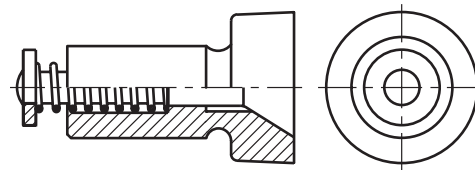
Mat.: 1.4112
 max. C°: 250



3



Typ 1



Typ 2

| Typ | k1 | l2 | l1 | d1 | d2 | Nr./No. |
|-----|----|----|----|----|----|-------------|
| 2 | 5 | 16 | 8 | 8 | 6 | Z4911/ 8x 6 |
| 1 | | 21 | 13 | 12 | 8 | 12x 8 |
| | 6 | 22 | 12 | 16 | 10 | 16x10 |