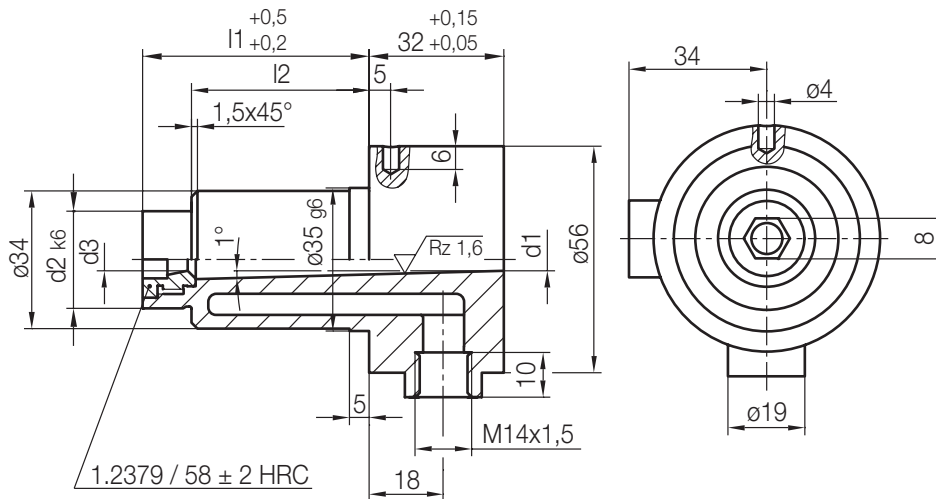


Z519/...

Duroplast Angießbuchse, temperierbar
 Thermoset-sprue bushing, integrated cooling
 Buse d'injection pour thermodur, chauffable

Mat.: 1.2363/54 + 2 HRC



l2	d2	l1	d1	d3	Nr./No.
44	24	56	5,5	5	Z519/24x 56x5,5x5
64		76			76
84		96		6	Z519/24x 96x5,5x6
104	116	116			