

Content

1. Lifting points “Eye nut Z7120/...”
2. Intended use
3. Instructions for use
4. Restrictions on use
5. Mounting instructions
6. Maintenance, checks
7. EC Declaration of Conformity



Eye nut

1. Lifting points “Eye nut Z7120/...”

These lifting points are designed for use in accordance with these operating instructions and the respective national regulations governing the lifting and holding of loads.

They may only be brought into operation after the instructions for use have been read and understood.

The instructions for use must be made available to the user until such time as the lifting points are taken out of service.

The instructions are subject to a continuous improvement process and are only valid in their latest version.

They are available to download at www.hasco.com.

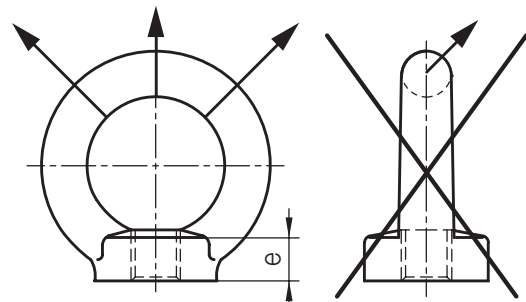



Fig. 1: permitted

Fig. 2: not permitted

Lifting method	No.	Thread [mm]	Tightening torque [Nm]	e		
					Load capacity [kg]	
Z7120/	8	M 8	can be tightened manually	8,5	140	100
	10	M10		10	230	170
	12	M12		11	340	240
	16	M16		13	700	500
	20	M20		16	1200	860
	24	M24		20	1800	1290
	30	M30		25	3200	2300

2. Intended use

Load

The load capacity is as per the load limit table in the specified directions of tension – see Fig. 1.

Admissible operating temperature

-20°C to +200°C (Use at temperatures below -20°C or above 200°C is not permitted.)

Impacts and vibration

Shock loads or vibrations can lead to unintended loosening and must be avoided.

If this is not possible, a liquid thread-locking agent must be used in accordance with the manufacturer's instructions.

Additional instructions

These lifting points are mainly intended for permanent mounting on components such as gears, motors and switchgear cabinets and for transporting these items of equipment.

If the lifting eye bolt is used on an alternative basis for transporting different components, the next largest thread diameter must be used.

If used with multi-strand end attachments, the corresponding rules must be observed.

3. Instructions for use

- Lifting points are to be used only by competent, authorised personnel.
- A visual inspection must be performed before first usage (see maintenance instructions).
- Check for evidence of damage prior to each use.
- Load only in the specified direction (see Fig. 1) with the load capacity as per the table.
- Prior to each use, ensure that the lifting point is hand-tightened.
- Pay attention to any load obstructions as per the restrictions on use.
- The end attachment inserted in the ring (e.g. hook) must be able to move freely within the ring.
- Lifting points must be kept dry and clean.
- The lifting points are not designed to be rotated under load.

Please note:

- Do not overload lifting points. A falling load can cause injury and/or death.
- Damaged lifting points (see maintenance instructions) can fail under normal operating conditions – the load may fall. These lifting points must not be used.

4. Restrictions on use

Under abnormal operating conditions (see above), lifting points can only be used with limitations.

- Lifting points must not be exposed to acids and alkalis or their vapours.
- Please contact our technical service regarding use in environments containing chemicals.
- The lifting points must not be loaded via corners or edges etc.
- People must not be lifted.
- Loads may not be lifted or transported if people are present within the danger zone of the load.

5. Mounting instructions

Installation may only be carried out by a competent person.

- Screw the lifting point into the anchorage system until the lower face is fully in contact with the surface.
- Hand-tighten the lifting point.
- The thread screwed into the lifting point must be fully screwed into the collar (dimension “e” – see Table) so that the lower face of the lifting point is fully in contact with the mounting surface.
- Screws must have a strength class of ≥ 5.6
- If used with through holes, the lifting point must be fixed with a nut (0.8xd) which is fully and firmly bolted on. If the thread is long enough, the use of a washer is recommended.
- The overall system, on which the lifting points are mounted, must meet the requirements of Directive 2006/42/EC.
- Select the arrangement of the lifting points to ensure symmetric loading, with the centre of gravity beneath the lifting point(s).
- The base material of the object, on which the lifting points are to be mounted, must be sufficiently strong to absorb the induced forces without deformation.
- Lifting points with a sufficient load capacity must be selected – see load capacity table.
- The surface to which the lifting point is to be screwed must be flat and be at least the diameter of the lower face of the lifting point. The threaded hole must be in the centre of the surface, at right angles to it and sufficiently deep for the screw to be fully screwed in (blind holes).
- The minimum screw-in length is as follows: 1 x M in steel (M = thread size e.g. M20 = 20 mm), 1.25 x M in cast steel and 2 x M in aluminium

- The through hole must be cleaned before use.
- If necessary (e.g. in the event of vibrations), use a liquid thread-locking agent, observing the manufacturer's instructions.
- When selecting the configuration, make sure that no incorrect loading can result, for example if:
 - free alignment is not possible in the direction of tension
 - the direction of tension is not within the specified range as per the table
- No changes may be made to the delivered items. It is not permitted, for example, to perform welding, heat treatment or other surface treatments that damage the material (e.g. galvanic zinc coating), or to shorten the screw.
- Only mount defect-free lifting points.
- Check used lifting points prior to installation as per the maintenance instructions.
- Do not use an extension during assembly.

6. Maintenance, checks

- Lifting points must be checked at least once a year by a competent person.
- The time period may be shorter depending on the operating conditions.
For frequent use, we recommend carrying out a crack test every 2 years.
- The parts must be free from oil, dirt and rust for the regular inspection and crack test.
Suitable cleaning methods are those that do not overheat, do not conceal surface defects and do not cause hydrogen embrittlement or stress corrosion cracking.
- During inspections, the lifting point must be checked for damage that could impair its safety and function.
e.g.:
 - fracture, notches, cracks, deformation
 - inadmissible heat influence
 - abrasion or corrosion of more than 10% of the cross section

If there is any doubt as to the function and/or safety of the lifting point, it is essential to stop using it.

7. EC Declaration of Conformity (No.: Lastaufnahmemittel_EN_EG-2019-04)

This declaration of conformity is issued under the sole responsibility of:

HASCO Hasenclever GmbH + Co KG, Römerweg 4, D-58513 Lüdenscheid, +49 2351 957-0, info@hasco.com

Object of the declaration:

References to the relevant harmonised standards are taken as a basis or references to the specifications for which conformity is declared: Reference number of the standard

No.	EN ISO 12100	EN 1677-1	DIN 580	DIN 582	DGUV 100-500 (BGR 500, 2.8)
Z70/..., Z701/...	X				
Z710/...	X		X		X
Z711/...	X	X			X
Z7120/...	X			X	X
Z715/...	X	X			
Z721/...	X				
Z725/...	X	X			

The object of the declaration described above complies with the relevant Community harmonisation legislation: 2006/42/EG

Name and address of the person authorised to compile the technical documentation:

Stefan Fritsch,
Team leader
(Name, function)

Römerweg 4, D-58513 Lüdenscheid
(Address)

Lüdenscheid, 2019-04-08
(Place and date of issue)

Andre Brandt
Executive Vice President Mould Base Technology
(Name, function)

Römerweg 4, D-58513 Lüdenscheid
(Address)