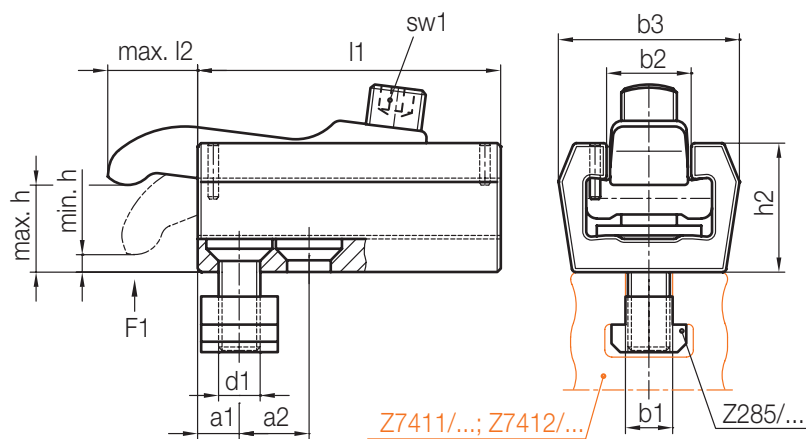


Z741/...

Kraftspanner, flache Ausführung
Power clamp, flat design
Bride de force, version plate

Mat.: ≈ 1.0501



M [Nm]	max. F1 [kN]	sw1	h2	min. h1	a2	a1	b3	b2	max. l2	d1	b1	l1	max. h1	Nr./No.
60	30	8	37	5	20	12	52	24	26	M 12	14	75	26	Z741/14x 75x26
	28				50				115			40	115x40	
100	40	10	42	5	25	15	60	28	30	M 16	18	85	30	18x 85x30
	38				58				130			46	130x46	
150	50	12	48	5	38	19	75	34	32	M 20	22	100	35	22x100x35
	48				65				150			51	150x51	