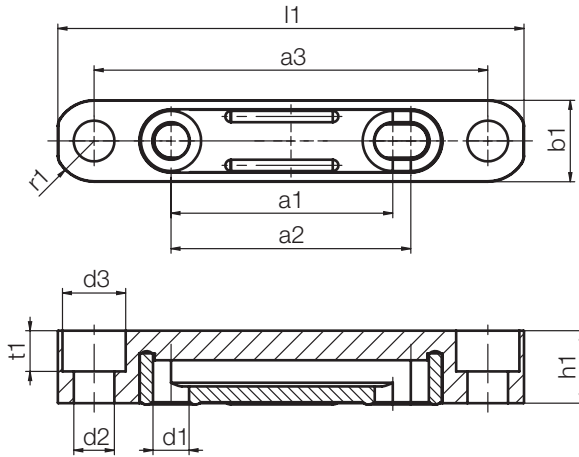


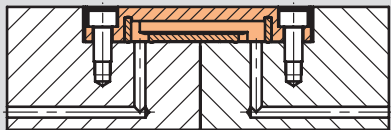
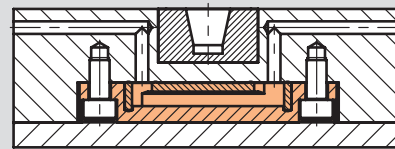
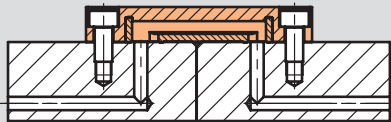
# Z9645 /...

Umlenkbrücke  
Diverting bridge  
Pont de dérivation

Mat.: 2.0401/Viton®



Medium	max. °C
Luft/air/air	200
Öl/oil/huile	120
Wasser/water/eau	100



r1	h1	t1	a3	b1	l1	d3	d2	d1	a1	a2	Nr./No.
9	16	9	64	18	80	14	9	8	26	30	Z9645/ 8x26x30
			87		103				49x53		
			132		148				94x98		
11			70	22	90	15		10	28	34	Z9645/10x28x34
			83		103				41x47		
			128		148				84x90		